

Disc technical data

Axle Front

Diameter
314 mm

Overall height (A)
59,4 mm

Centring diameter (B)
68 mm

Number of holes (C)
5

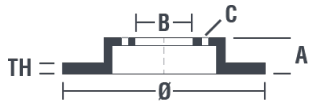
Thickness (TH)
25 mm

Minimum thickness
23 mm

Tightening torque
120 Nm

Unit per box
1

EANCode
8020584954010

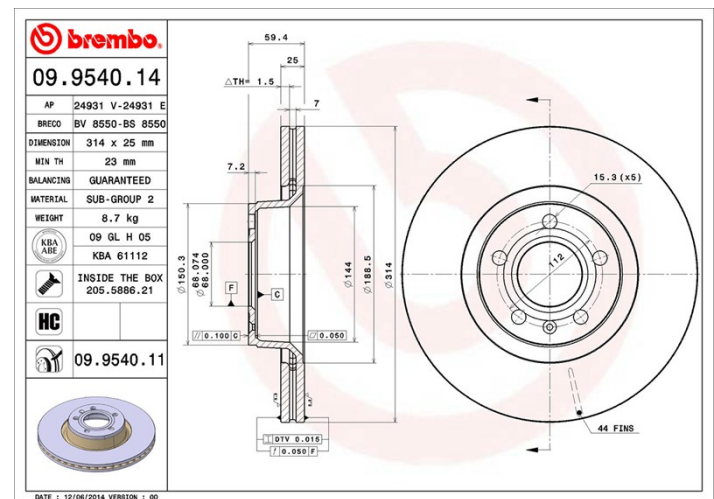


Brand part numbers

Brembo
09.9540.14

AP
24931 E

Breco
BS 8550



Technical specifications

High Carbon disc (HC)

Thanks to the high percentage of carbon in the chemical composition of the cast iron, the HC disc provides greater damping coefficient, able to reduce vibration and noise while driving.

HC

Disc with fixing screw

By supplying the fixing screw in the disc box, Brembo provides extra help to the mechanic if the original screw is rusty or worn to such an extent as to prevent or make it difficult to reuse.



Compatible vehicles

AUDI

Model	Type	Kw	Year
A6 (4F2, C6)	2.0 TDI	120	04/09 03/11
A6 (4F2, C6)	2.0 TDI	100	07/04 03/11
A6 (4F2, C6)	2.0 TDI	103	07/04 10/08
A6 (4F2, C6)	2.0 TDI	89	09/05 06/06
A6 (4F2, C6)	2.0 TDI	125	11/08 03/11

A6 (4F2, C6)	2.0 TFSI	125	06/05 03/11
A6 (4F2, C6)	2.4	130	05/04 10/08
A6 (4F2, C6)	2.4 quattro	130	01/05 10/08
A6 (4F2, C6)	2.7 TDI quattro	120	06/05 03/11
A6 (4F2, C6)	2.7 TDI quattro	132	11/04 10/08
A6 Avant (4F5, C6)	2.0 TDI	120	04/09 08/11
A6 Avant (4F5, C6)	2.0 TDI	100	06/05 08/11
A6 Avant (4F5, C6)	2.0 TDI	103	06/05 10/08
A6 Avant (4F5, C6)	2.0 TDI	89	09/05 06/06
A6 Avant (4F5, C6)	2.0 TDI	125	10/08 08/11
A6 Avant (4F5, C6)	2.0 TFSI	125	06/05 08/11
A6 Avant (4F5, C6)	2.4	130	03/05 10/08
A6 Avant (4F5, C6)	2.4 quattro	130	03/05 10/08

AUDI (FAW)

Model	Type	Kw	Year
A6L (C6, 4Z8)	2.0 TFSI	125	09/05 12/12
A6L (C6, 4Z8)	2.4	130	03/05 12/12

OE Part number

Compatible OE codes

AUDI 4F0615301D