

Disc technical data

Axle Front

Diameter
336 mm

Overall height (A)
52 mm

Centring diameter (B)
63,5 mm

Number of holes (C)
5

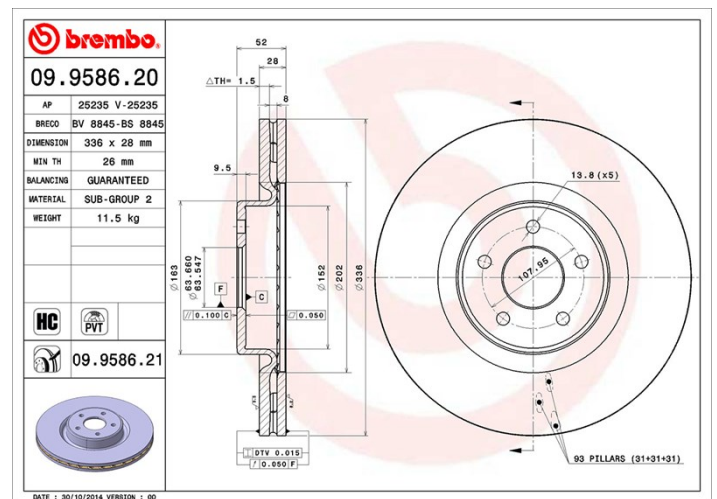
Thickness (TH)
28 mm

Minimum thickness
26 mm

Tightening torque
130 Nm

Unit per box
1

EANCode
8020584028568



Brand part numbers

Brembo
09.9586.21

AP
25235 V

Breco
BV 8845

Technical specifications

PVT vented disc

The PVT disc uses, in its ventilation chamber, pillars instead of vanes. Disc cooling capacity is enhanced by an extra 40% and therefore provides more resistance against thermal cracking.



High Carbon disc (HC)

Thanks to the high percentage of carbon in the chemical composition of the cast iron, the HC disc provides greater damping coefficient, able to reduce vibration and noise while driving.



UV Disc

The UV coating process provides a superior corrosion resistance and full disc protection.



Compatible vehicles

FORD

Model	Type	Kw	Year
FOCUS II (DA_, HCP, DP)	2.5 RS	224	01/09 07/11
FOCUS II (DA_, HCP, DP)	2.5 RS 500	257	05/10 07/11

OE Part number

Compatible OE codes

FORD	1569253
------	---------

FORD	9M511125AA
------	------------
