

Disc technical data

Axle Rear

Diameter
330 mm

Overall height (A)
42,2 mm

Centring diameter (B)
68 mm

Number of holes (C)
5

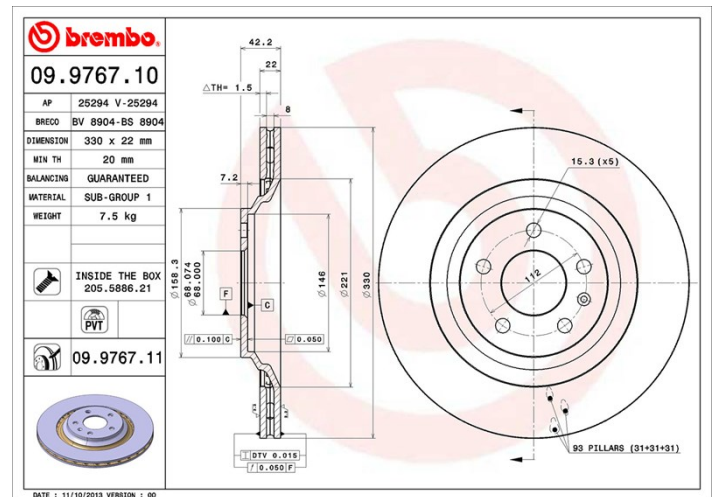
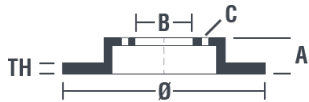
Thickness (TH)
22 mm

Minimum thickness
20 mm

Tightening torque
120 Nm

Unit per box
2

EANCode
8020584037621



Brand part numbers

Brembo
09.9767.11

AP
25294 V

Breco
BV 8904

Technical specifications

Disc with fixing screw

By supplying the fixing screw in the disc box, Brembo provides extra help to the mechanic if the original screw is rusty or worn to such an extent as to prevent or make it difficult to reuse.



UV Disc

The UV coating process provides a superior corrosion resistance and full disc protection.



Compatible vehicles

AUDI

Model	Type	Kw	Year
A6 (4F2, C6)	S6 quattro	320	03/06 03/11
A6 Allroad (4FH, C6)	2.7 TDI quattro	132	05/06 10/08
A6 Allroad (4FH, C6)	2.7 TDI quattro	140	10/08 08/11
A6 Allroad (4FH, C6)	3.0 TDI quattro	155	05/06 08/11
A6 Allroad (4FH, C6)	3.0 TDI quattro	171	05/06 10/08

A6 Allroad (4FH, C6)	3.0 TDI quattro	176	10/08 08/11
A6 Allroad (4FH, C6)	3.0 TFSI quattro	213	10/08 08/11
A6 Allroad (4FH, C6)	3.2 FSI quattro	188	05/06 10/08
A6 Allroad (4FH, C6)	4.2 FSI quattro	257	05/06 12/10
A6 Avant (4F5, C6)	S6 quattro	320	03/06 08/11

OE Part number

Compatible OE codes

AUDI	4F0615601B
------	------------