

Disc 09.9870.11



Disc technical data

Axle Front

Diameter
368 mm

Overall height (A)
68,5 mm

Centring diameter (B)
85 mm

Number of holes (C)
5

Thickness (TH)
36 mm

Minimum thickness
34 mm

Tightening torque
160 Nm

Unit per box
1

EANCode
8020584987018

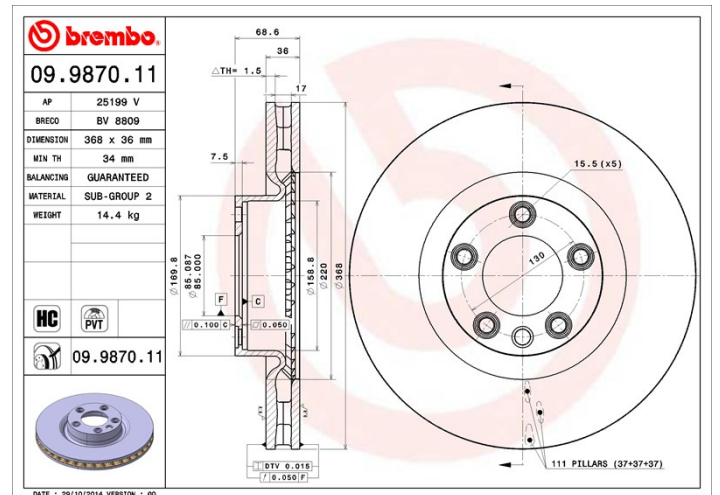


Brand part numbers

Brembo
09.9870.11

AP
25199 V

Breco
BV 8809



Technical specifications

PVT vented disc

The PVT disc uses, in its ventilation chamber, pillars instead of vanes. Disc cooling capacity is enhanced by an extra 40% and therefore provides more resistance against thermal cracking.



High Carbon disc (HC)

Thanks to the high percentage of carbon in the chemical composition of the cast iron, the HC disc provides greater damping coefficient, able to reduce vibration and noise while driving.



UV Disc

The UV coating process provides a superior corrosion resistance and full disc protection.



Compatible vehicles

PORSCHE

Model	Type	Kw	Year
CAYENNE (9PA)	GTS 4.8	298	10/07 09/10
CAYENNE (9PA)	S 4.8	283	02/07 09/10
CAYENNE (9PA)	Turbo S 4.8	368	02/07 09/10

VW

Model	Type	Kw	Year
TOUAREG (7LA, 7L6, 7L7)	4.2 V8 FSI	257	06/06 05/10
TOUAREG (7LA, 7L6, 7L7)	5.0 R50 TDI	257	08/07 05/10
TOUAREG (7LA, 7L6, 7L7)	6.0 W12	331	08/04 05/10

OE Part number**Compatible OE codes**

PORSCHE	95535140300
VW	7L8615301A