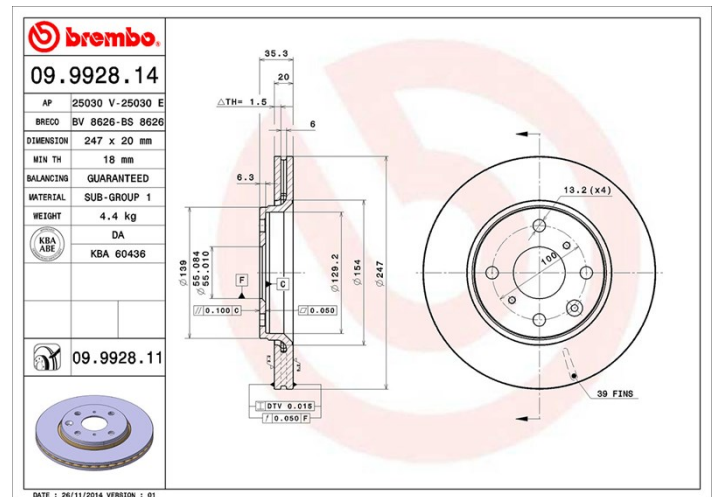


Disc technical data

Axle Front	Diameter 247 mm
Overall height (A) 35,3 mm	Centring diameter (B) 55 mm
Number of holes (C) 4	Thickness (TH) 20 mm
Minimum thickness 18 mm	Tightening torque 100 Nm
Unit per box 2	EANCode 8020584992814



Brand part numbers

Brembo 09.9928.14	AP 25030 E	Breco BS 8626
-----------------------------	----------------------	-------------------------

Technical specifications

Compatible vehicles

BYD

Model	Type	Kw	Year
F0	1.0	50	09/08 -

CITROËN

Model	Type	Kw	Year
C1 (PM_, PN_)	1.0	50	06/05 09/14
C1 (PM_, PN_)	1.4 HDi	40	06/05 09/14
C1 II (PA_, PS_)	1.0 VTi 68	51	04/14 -
C1 II (PA_, PS_)	1.2 VTi 82	60	04/14 -

GEELY

Model	Type	Kw	Year
-------	------	----	------

PANDA	1.0	50	01/15 -
GLEAGLE			
Model	Type	Kw	Year
GX2 / PANDA	1.3	63	12/10 12/12
GX2 / PANDA	1.5	69	01/12 -
GX2 / PANDA	1.5	75	12/10 12/12
PANDA	1.0	52	11/08 12/11
PANDA	1.3	63	11/08 12/15
PANDA	1.5	69	04/10 12/12
PANDA	Electric	20	12/13 12/15

PEUGEOT			
Model	Type	Kw	Year
107 (PM_, PN_)	1.0	50	06/05 05/14
107 (PM_, PN_)	1.4 HDi	40	06/05 05/14
108	1.0 VTi	51	05/14 -
108	1.2	60	05/14 -

TOYOTA			
Model	Type	Kw	Year
AYGO (_B1_)	1.0 (KGB10_)	50	07/05 05/14
AYGO (_B1_)	1.0 GPL (KGB10_)	50	07/05 05/14
AYGO (_B1_)	1.4 HDi (VNB10_)	40	07/05 08/10
AYGO (_B4_)	1.0 (KGB40)	51	05/14 -
AYGO (_B4_)	1.2 (PAB40)	60	05/14 -

OE Part number

Compatible OE codes	
CITROËN	1613819880
CITROËN	4246J0
CITROËN	424954
CITROËN	424955
PEUGEOT	1613819880
PEUGEOT	4246F0
PEUGEOT	424954

PEUGEOT

424994

TOYOTA

435120H010

TOYOTA

435120H020

TOYOTA

435120H040
