
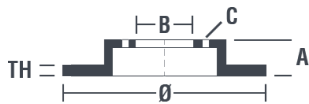


Disc 09.9935.11

brembo
AFTERMARKET

Disc technical data

Axle Front	Diameter 302 mm
Overall height (A) 34,2 mm	Centring diameter (B) 66 mm
Number of holes (C) 4	Thickness (TH) 26 mm
Minimum thickness 24 mm	Tightening torque  90 Nm
Unit per box 2	EANCode 8020584027615

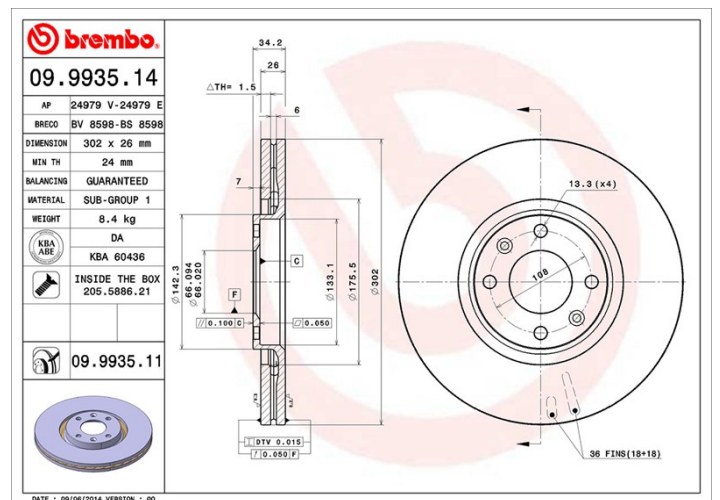


Brand part numbers

Brembo
09.9935.11

AP
24979 V

Breco
BV 8598



Technical specifications

Disc with fixing screw

By supplying the fixing screw in the disc box, Brembo provides extra help to the mechanic if the original screw is rusty or worn to such an extent as to prevent or make it difficult to reuse.

UV Disc

The UV coating process provides a superior corrosion resistance and full disc protection.

Compatible vehicles

CITROËN

Model	Type	Kw	Year
C4 Coupe (LA_)	2.0 16V	130	11/04 12/10
C4 Coupe (LA_)	2.0 HDi	103	07/08 07/11
C4 Coupe (LA_)	2.0 HDi	100	11/04 12/10
C4 Grand Picasso I (UA_)	1.6 16V	103	07/08 12/10
C4 Grand Picasso I (UA_)	1.6 16V	110	10/08 08/13
C4 Grand Picasso I (UA_)	1.6 THP 155	115	09/10 08/13



C4 Grand Picasso I (UA_)	2.0 HDi 138	100	10/06 12/13
C4 Grand Picasso I (UA_)	2.0 HDi 150	110	07/09 08/13
C4 Grand Picasso I (UA_)	2.0 HDi 165	120	09/10 08/13
C4 Grand Picasso I (UA_)	2.0 i 16V	105	01/10 08/13
C4 Grand Picasso I (UA_)	2.0 i 16V	103	10/06 08/13
C4 I (LC_)	2.0 16V	130	11/04 07/08
C4 I (LC_)	2.0 HDi	100	11/04 07/11
C4 Picasso I MPV (UD_)	1.6 16V	110	07/08 08/13
C4 Picasso I MPV (UD_)	1.6 THP 140	103	07/08 08/13
C4 Picasso I MPV (UD_)	1.6 THP 155	115	09/10 08/13
C4 Picasso I MPV (UD_)	2.0 HDi 138	100	10/06 08/13
C4 Picasso I MPV (UD_)	2.0 HDi 150	110	07/09 08/13
C4 Picasso I MPV (UD_)	2.0 HDi 165	120	09/10 08/13
C4 Picasso I MPV (UD_)	2.0 i 16V	105	05/08 05/13
C4 Picasso I MPV (UD_)	2.0 i 16V	103	09/07 08/13

PEUGEOT

Model	Type	Kw	Year
207 (WA_, WC_)	1.6 16V RC	128	02/07 -
207 SW (WK_)	1.6 16V RC	128	02/07 -
3008 MPV (0U_)	1.6 Turbo	121	05/14 08/16
307 (3A/C)	2.0 16V	130	06/05 11/07
307 (3A/C)	2.0 HDi 135	100	10/03 11/07
307 Break (3E)	2.0 16V	130	06/05 04/08
307 Break (3E)	2.0 HDi 135	100	02/04 04/08
307 CC (3B)	2.0 16V	132	04/05 06/09
307 CC (3B)	2.0 16V	130	10/03 04/09
307 CC (3B)	2.0 HDi 135	100	06/05 04/09
307 SW (3H)	2.0 HDi 135	100	02/04 04/08

PEUGEOT (DF-PSA)

Model	Type	Kw	Year
3008	1.6 THP	120	01/13 12/14
3008	1.6 THP	123	10/14 -

OE Part number

Compatible OE codes

CITROËN	4246C0
CITROËN	424933
CITROËN	424985
CITROËN	9687602180
CITROËN	9809266280
PEUGEOT	4246P5
PEUGEOT	424985
PEUGEOT	9687602180
PEUGEOT	9809266280