

Disc  
09.9983.40

**brembo**  
AFTERMARKET

## Disc technical data

**Axle** Front, Rear

**Diameter**  
435 mm

**Overall height (A)**  
138,5 mm

**Centring diameter (B)**  
210 mm

**Number of holes (C)**  
12

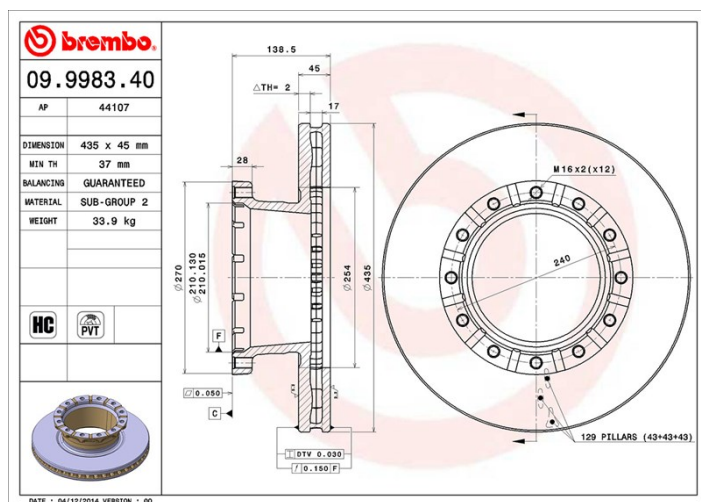
**Thickness (TH)**  
45 mm

**Minimum thickness**  
37 mm

**Tightening torque**   
Nm

**Unit per box**  
1

**EANCode**  
8020584998342



## Brand part numbers

**Brembo**  
09.9983.40

**AP**  
44107

## Technical specifications

### PVT vented disc

The PVT disc uses, in its ventilation chamber, pillars instead of vanes. Disc cooling capacity is enhanced by an extra 40% and therefore provides more resistance against thermal cracking.

### High Carbon disc (HC)

Thanks to the high percentage of carbon in the chemical composition of the cast iron, the HC disc provides greater damping coefficient, able to reduce vibration and noise while driving.



**HC**

## Compatible vehicles

### IVECO

Model	Type	Kw	Year
EuroCargo I-III	170 E 18 K, 180 E 18 K	130	01/91 09/15
EuroCargo I-III	170 E 18, 180 E 18	130	01/91 09/15
EuroCargo I-III	170 E 23 K, 180 E 23 K	167	01/91 09/15
EuroCargo I-III	170 E 23, 180 E 23	167	01/91 09/15
EuroCargo I-III	170 E 27, 180 E 27	196	01/91 09/15
EuroCargo I-III	180 E 21 K tector	154	09/00 09/15

EuroCargo I-III	180 E 21 tector	154	09/00 09/15
EuroCargo I-III	180 E 24 K tector	176	09/00 09/15
EuroCargo I-III	180 E 24, 180 E 25 tector	176	09/00 09/15
EuroCargo I-III	180 E 28 K tector	202	09/00 09/15
EuroCargo I-III	180 E 28 tector, 180 E 28 P tector	202	09/00 09/15
EuroStar	LD 190 E 38 P	276	01/93 02/02
EuroStar	LD 190 E 39 P, LD 190 E 39 FP	287	11/99 02/02
EuroStar	LD 190 E 40	294	09/00 02/02
EuroStar	LD 190 E 42, LD 190 E 42 P	309	01/93 02/02
EuroStar	LD 190 E 43, LD 190 E 43 P, LD 190 E 43 FP	316	11/99 02/02
EuroStar	LD 190 E 47	345	01/93 02/02
EuroStar	LD 190 E 52	378	01/93 02/02
EuroStar	LD 240 E 38	276	01/93 02/02
EuroStar	LD 240 E 42 FS, LD 240 E 42 PS	309	01/93 02/02
EuroStar	LD 240 E 47 PS	345	01/93 02/02
EuroStar	LD 240 E 52 PS	378	01/93 02/02
EuroStar	LD 260 E 38 P	276	01/93 02/02
EuroStar	LD 260 E 39 P, LD 260 E 39 FP	287	11/99 02/02
EuroStar	LD 260 E 40	294	09/00 02/02
EuroStar	LD 260 E 42 P	309	01/93 02/02
EuroStar	LD 260 E 43 Y/PS, LD 260 E 43 FP	316	01/93 02/02
EuroStar	LD 260 E 47	345	01/93 02/02
EuroStar	LD 260 E 48 Y/PS	353	01/93 02/02
EuroStar	LD 260 E 52	378	01/93 02/02
EuroStar	LD 400 E 38 TX/P, LD 440 E 38 TX/P	276	01/93 02/02
EuroStar	LD 400 E 42 TX/P, LD 440 E 42 TX/P	309	01/93 02/02
EuroStar	LD 440 E 38 T	276	01/93 02/02
EuroStar	LD 440 E 38 TZ	276	01/93 02/02
EuroStar	LD 440 E 39 T, LD 440 E 39 T/P	287	11/99 02/02
EuroStar	LD 440 E 39 TX, LD 440 E 39	287	11/99 -

	TX/P		
EuroStar	LD 440 E 40 T	294	09/00 02/02
EuroStar	LD 440 E 40 TX/P	294	01/01 02/02
EuroStar	LD 440 E 42 T/P	309	01/93 02/02
EuroStar	LD 440 E 42 TZ	309	01/93 02/02
EuroStar	LD 440 E 43 T/P	316	01/93 02/02
EuroStar	LD 440 E 43 TX/P	316	11/99 02/02
EuroStar	LD 440 E 47 T/P	345	01/93 02/02
EuroStar	LD 440 E 47 TZ	345	01/93 02/02
EuroStar	LD 440 E 48 T/P	353	01/01 02/02
EuroStar	LD 440 E 52 T	378	01/93 02/02
EuroStar	LD 440 E 52 TZ	378	01/93 02/02
EuroTech MH	190 E 24 K	180	09/98 -
EuroTech MH	190 E 24, 190 E 24 /P	180	09/98 -
EuroTech MH	190 E 27 K	200	09/98 -
EuroTech MH	190 E 27, 190 E 27 /P	200	09/98 -
EuroTech MH	190 E 30, 190 E 30 /P	218	01/00 -
EuroTech MH	190 E 31 K	228	09/98 -
EuroTech MH	190 E 31, 190 E 31 /P	228	09/98 -
EuroTech MH	190 E 35, 190 E 35 /P, 190 E 35 /FP	259	09/98 -
EuroTech MH	260 E 24 Y/P, 260 E 24 Y/PS, 260 E 24 Y/PT	180	11/99 -
EuroTech MH	260 E 27 Y/P, 260 E 27 Y/PS, 260 E 27 RY/PS, 260 E 27 RY/PT	200	11/99 -
EuroTech MH	260 E 30 Y/PS	218	01/00 -
EuroTech MH	260 E 31 Y/P, 260 E 31 Y/PS, 260 E 31 Y/PT	228	11/99 -
EuroTech MH	260 E 35 Y/P, 260 E 35 Y/PT, 260 E 35 Y/TN	259	11/99 -
EuroTech MH	400 E 31 TP, 440 E 31 T, 440 E 31 TP	228	09/98 -
EuroTech MH	400 E 35 TP, 440 E 35 T, 440 E 35 T/P, 440 E 35 T/FP	259	09/98 -
EuroTech MH	440 E 35 TX/P	259	02/00 -
EuroTech MP	190 E 39, 190 E 39 /P, 190 E39 /FP	287	11/99 -
EuroTech MP	190 E 40 /P	294	01/01 -

EuroTech MP	190 E 43, 190 E 43 /P	316	01/01 -
EuroTech MP	260 E 39 Y, 260 E 39 Y/P, 260 E 39 Y/FP, 260 E 39 Y/FS	287	11/99 -
EuroTech MP	260 E 40	294	01/01 -
EuroTech MP	260 E 43 Y, 260 E 43 Y/P	316	11/99 -
EuroTech MP	4300	316	01/02 -
EuroTech MP	4300	316	01/02 -
EuroTech MP	440 E 39 T, 440 E 39 T/P, 440 E 39 T/FP-CT	287	11/99 -
EuroTech MP	440 E 39 TX/P	287	11/99 -
EuroTech MP	440 E 40 T/P	294	09/00 -
EuroTech MP	440 E 40 TX/P	294	01/01 -
EuroTech MP	440 E 43 T, 440 E 43 T/P	316	11/99 -
EuroTech MP	440 E 43 TX/P	316	11/99 -
EuroTech MP	4500	335	01/02 -
EuroTech MP	4500	354	01/02 -
EuroTech MP	4500	374	01/02 -
EuroTech MP	4500	387	01/02 -
EuroTech MP	4500	433	01/02 -
EuroTech MP	4500	351	01/02 -
EuroTech MP	4500	373	01/02 -
EuroTech MP	4500	321	01/02 -
EuroTech MP	4500	410	01/02 -

## OE Part number

### Compatible OE codes

IVECO	1906461
IVECO	2992470
IVECO	2996329
IVECO	42557315
IVECO	7182305