

Disc 09.A089.10



Disc technical data

Axle Front

Diameter
330 mm

Overall height (A)
48 mm

Centring diameter (B)
71 mm

Number of holes (C)
5

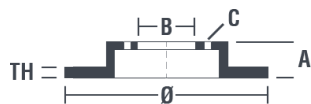
Thickness (TH)
30 mm

Minimum thickness
28 mm

Tightening torque
90 Nm

Unit per box
1

EANCode
8020584017852

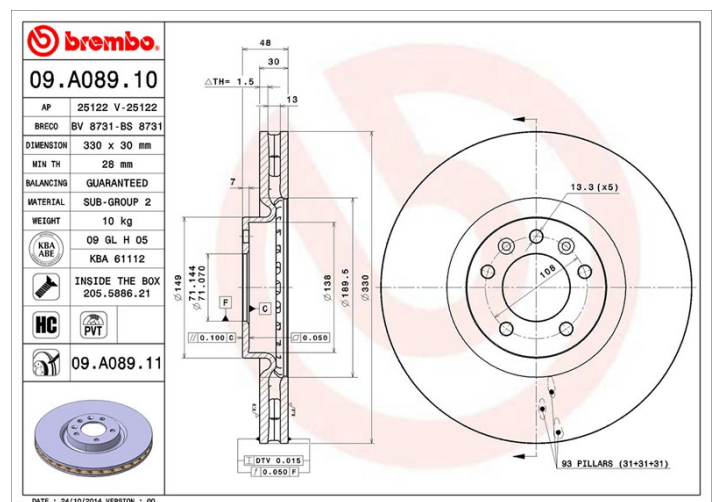


Brand part numbers

Brembo
09.A089.10

AP
25122

Breco
BS 8731



Technical specifications

PVT vented disc

The PVT disc uses, in its ventilation chamber, pillars instead of vanes. Disc cooling capacity is enhanced by an extra 40% and therefore provides more resistance against thermal cracking.



High Carbon disc (HC)

Thanks to the high percentage of carbon in the chemical composition of the cast iron, the HC disc provides greater damping coefficient, able to reduce vibration and noise while driving.



Disc with fixing screw

By supplying the fixing screw in the disc box, Brembo provides extra help to the mechanic if the original screw is rusty or worn to such an extent as to prevent or make it difficult to reuse.



Compatible vehicles

CITROËN

Model	Type	Kw	Year
C5 III (RD_)	1.6 THP 155	115	04/09 -
C5 III (RD_)	2.0 HDi 165	120	04/09 -
C5 III (RD_)	2.2 HDi	125	02/08 -
C5 III (RD_)	2.7 HDi	150	02/08 -

C5 III (RD_)	3.0 V6	155	02/08 -
C5 III Break (RW_)	1.6 THP 155	115	04/09 -
C5 III Break (RW_)	2.2 HDi	125	02/08 -
C5 III Break (RW_)	2.2 HDi 165	120	02/08 -
C5 III Break (RW_)	2.7 HDi	150	02/08 -
C5 III Break (RW_)	3.0 V6	155	02/08 -
C6 (TD_)	2.2 HDi	120	06/06 12/10
C6 (TD_)	2.2 HDi	125	06/06 12/12
C6 (TD_)	2.7 HDi	150	09/05 12/11
C6 (TD_)	3.0 V6	155	09/05 12/12

CITROËN (DF-PSA)

Model	Type	Kw	Year
C5	1.8	150	09/15 -
C5	3.0	162	11/09 12/14

PEUGEOT

Model	Type	Kw	Year
407 (6D_)	2.2	116	05/04 -
407 (6D_)	2.2 16V	120	09/05 -
407 (6D_)	2.2 HDi	120	03/06 12/10
407 (6D_)	2.2 HDi 170	125	05/06 -
407 (6D_)	2.7 HDi	150	10/05 -
407 (6D_)	3.0	155	05/04 -
407 Coupe (6C_)	2.0 HDi	103	09/08 12/09
407 Coupe (6C_)	2.0 HDi	100	10/05 -
407 Coupe (6C_)	2.2 16V	120	10/05 -
407 Coupe (6C_)	2.7 HDi	150	10/05 -
407 Coupe (6C_)	3.0 V6	155	10/05 -
407 SW (6E_)	2.2 16V	120	09/05 -
407 SW (6E_)	2.2 HDi	120	06/08 -
407 SW (6E_)	2.2 HDi 170	125	05/06 -
407 SW (6E_)	2.7 HDi	150	10/05 -
407 SW (6E_)	3.0	155	05/04 -

OE Part number

Compatible OE codes

CITROËN	424970
---------	--------

CITROËN	4249A7
---------	--------

PEUGEOT	424970
---------	--------

PEUGEOT	4249A7
---------	--------