
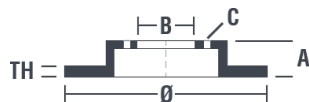


Disc technical data

Axle Front	Diameter 296 mm
Overall height (A) 49,3 mm	Centring diameter (B) 68 mm
Number of holes (C) 5	Thickness (TH) 24 mm
Minimum thickness 22 mm	Tightening torque  108 Nm
Unit per box 2	EANCode 8020584034736

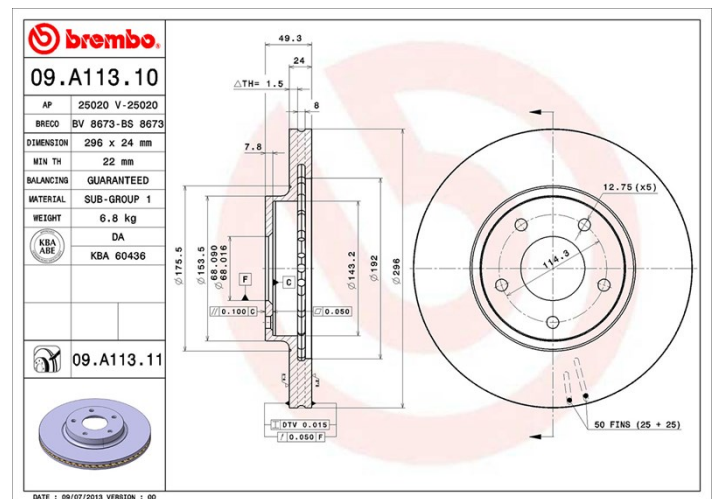


Brand part numbers

Brembo
09.A113.11

AP
25020 V

Breco
BV 8673



Technical specifications

UV Disc

The UV coating process provides a superior corrosion resistance and full disc protection.



Compatible vehicles

NISSAN

Model	Type	Kw	Year
ALTIMA (L31)	2.5	121	08/01 09/06
ALTIMA (L31)	3.5	180	08/01 09/06
MAXIMA / MAXIMA QX V (A33)	2.0 V6 24V	103	03/00 11/03
MAXIMA / MAXIMA QX V (A33)	2.5 V6 24V	154	03/00 11/03
MAXIMA / MAXIMA QX V (A33)	3.0 V6 24V	147	03/00 11/03

OE Part number

Compatible OE codes

INFINITI

40206AL501

NISSAN

402069W000

NISSAN

402069Y000
