

## Disc technical data

**Axle** Front

**Diameter**  
276 mm

**Overall height (A)**  
45,5 mm

**Centring diameter (B)**  
69 mm

**Number of holes (C)**  
4

**Thickness (TH)**  
26 mm

**Minimum thickness**  
24,4 mm

**Tightening torque**   
108 Nm

**Unit per box**  
2

**EANCode**  
8020584216422

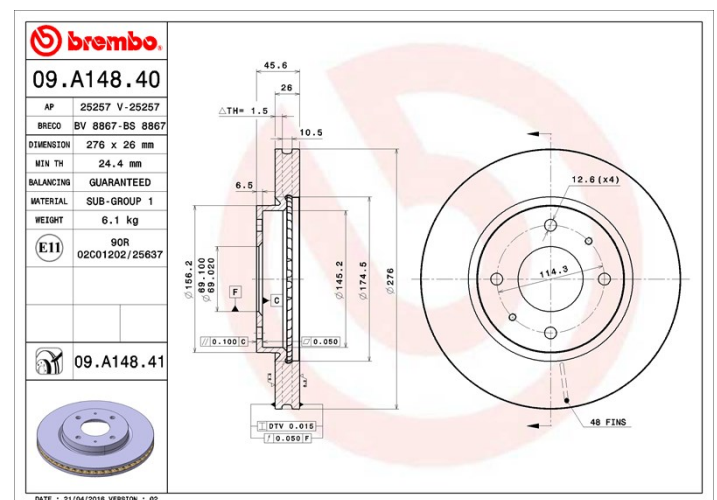


## Brand part numbers

**Brembo**  
09.A148.41

**AP**  
25257 V

**Breco**  
BV 8867



## Technical specifications

### UV Disc

The UV coating process provides a superior corrosion resistance and full disc protection.



## Compatible vehicles

### MITSUBISHI

| Model           | Type              | kW/CV   | Year        |
|-----------------|-------------------|---------|-------------|
| GALANT VI (EA_) | 2.0 (EA2A)        | 98/133  | 09/00 10/04 |
| GALANT VI (EA_) | 2.0 (EA2A)        | 100/136 | 09/96 09/00 |
| GALANT VI (EA_) | 2.0 TDI (EA6A)    | 66/90   | 09/96 10/04 |
| GALANT VI (EA_) | 2.4 GDI (EA3A)    | 110/150 | 02/99 09/00 |
| GALANT VI (EA_) | 2.4 GDI (EA3A)    | 106/144 | 09/00 10/04 |
| GALANT VI (EA_) | 2.5 Type S        | 151/205 | 10/99 10/04 |
| GALANT VI (EA_) | 2.5 V6 24V (EA5A) | 118/160 | 09/00 10/04 |

|                                |                   |         |             |
|--------------------------------|-------------------|---------|-------------|
| GALANT VI (EA_)                | 2.5 V6 24V (EA5A) | 120/163 | 09/96 09/00 |
| GALANT VI Estate (EA_)         | 2.0 (EA2W)        | 98/133  | 09/00 10/03 |
| GALANT VI Estate (EA_)         | 2.0 (EA2W)        | 100/136 | 09/96 09/00 |
| GALANT VI Estate (EA_)         | 2.0 TDI (EA6W)    | 66/90   | 09/96 10/03 |
| GALANT VI Estate (EA_)         | 2.4 GDI (EA3W)    | 110/150 | 02/99 10/03 |
| GALANT VI Estate (EA_)         | 2.4 GDI (EA3W)    | 106/144 | 09/00 10/03 |
| GALANT VI Estate (EA_)         | 2.5 V6 24V (EA5W) | 118/160 | 09/00 10/03 |
| GALANT VI Estate (EA_)         | 2.5 V6 24V (EA5W) | 120/163 | 09/96 09/00 |
| LANCER VII (CS_A, CT_A)        | 1.3               | 60/82   | 09/03 12/13 |
| LANCER VII (CS_A, CT_A)        | 1.6 (CS3A)        | 72/98   | 09/03 12/13 |
| LANCER VII Estate (CS_W, CT_W) | 1.6               | 72/98   | 09/03 10/08 |
| LANCER VII Estate (CS_W, CT_W) | 2.0               | 99/135  | 09/03 12/07 |

## OE Part number

### Compatible OE codes

|            |          |
|------------|----------|
| MITSUBISHI | MR510741 |
| MITSUBISHI | MR510742 |
| MITSUBISHI | MR527825 |