

## Disc technical data

**Axle** Front

**Diameter**  
258 mm

**Overall height (A)**  
45,3 mm

**Centring diameter (B)**  
87 mm

**Number of holes (C)**  
6

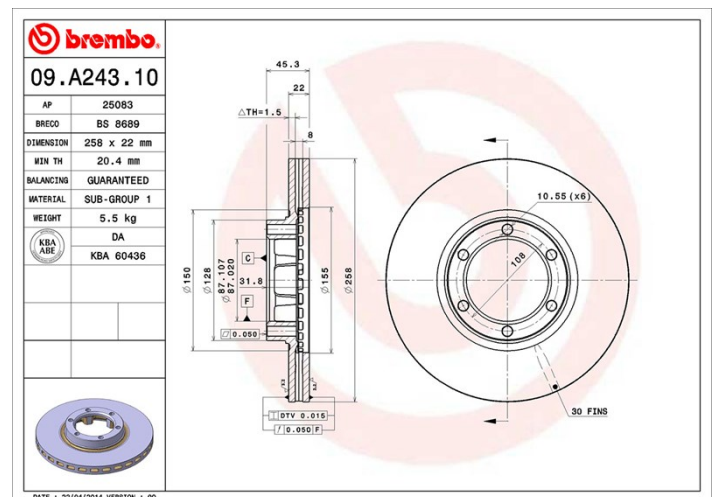
**Thickness (TH)**  
22 mm

**Minimum thickness**  
20,4 mm

**Tightening torque**   
100 Nm

**Unit per box**  
2

**EANCode**  
8020584015872



## Brand part numbers

**Brembo**  
09.A243.10

**AP**  
25083

**Breco**  
BS 8689

## Technical specifications

## Compatible vehicles

### MITSUBISHI

Model	Type	Kw	Year
PAJERO I (L04_G, L14_G)	2.5 TD (L044G, L049G)	64	04/87 12/91
PAJERO I (L04_G, L14_G)	2.5 TD (L044G, L049G)	70	11/89 11/90
PAJERO I Canvas Top (L04_G)	2.5 TD (L044G, L049G)	62	05/86 10/89
PAJERO I Canvas Top (L04_G)	2.5 TD (L044G, L049G)	70	11/89 11/90
PAJERO I Canvas Top (L04_G)	2.6 (L042G, L047G)	76	01/83 11/90

## OE Part number

### Compatible OE codes

MITSUBISHI

MB407036