

Disc technical data

Axle Front

Diameter
303 mm

Overall height (A)
47 mm

Centring diameter (B)
72 mm

Number of holes (C)
5

Thickness (TH)
26 mm

Minimum thickness
24 mm

Tightening torque
133 Nm

Unit per box
2

EANCode
8020584032107

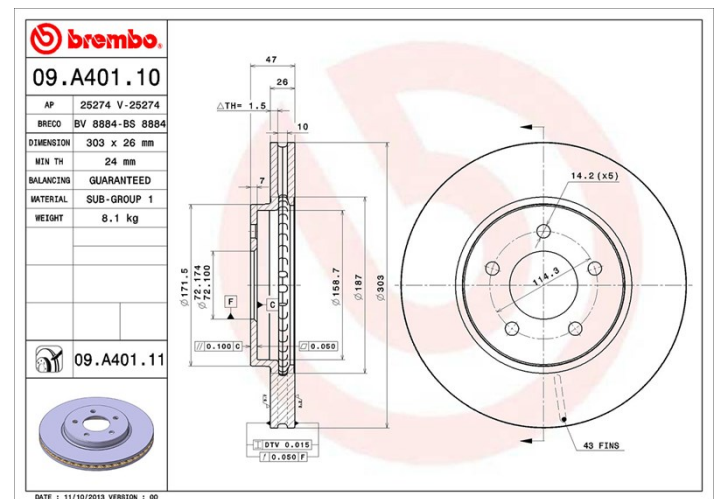


Brand part numbers

Brembo
09.A401.11

AP
25274 V

Breco
BV 8884



Technical specifications

UV Disc

The UV coating process provides a superior corrosion resistance and full disc protection.



Compatible vehicles

FORD

Model	Type	Kw	Year
MAVERICK	2.0 16V	91	02/01 -
MAVERICK	2.3 16V	110	03/04 -
MAVERICK	3.0 V6 24V	145	02/01 -
MAVERICK	3.0 V6 24V	149	03/04 -

MAZDA

Model	Type	Kw	Year
TRIBUTE (EP)	2.0	91	03/00 05/08

TRIBUTE (EP)	2.0 4WD	91	03/00 05/08
TRIBUTE (EP)	2.3 All-wheel Drive	109	07/06 05/08
TRIBUTE (EP)	2.3 AWD	110	04/04 05/08
TRIBUTE (EP)	2.3 GX	110	12/03 10/04
TRIBUTE (EP)	3.0 V6 24V 4WD	145	03/00 05/08
TRIBUTE (EP)	3.0 V6 AWD	149	04/04 05/08

OE Part number

Compatible OE codes

FORD	4510722
FORD	4668070
FORD	5L8Z1125AA
MAZDA	EF913325X
MAZDA	EF913325XC