

## Disc technical data

**Diameter** (Diameter)  
305 mm

**Overall height** (A)  
45,7 mm

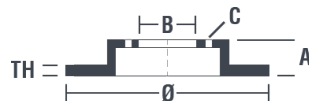
**Centring diameter** (B)  
59 mm

**Number of holes** (C)  
5

**Thickness** (TH)  
28 mm

**Minimum thickness**  
26 mm

**Tightening torque**   
86 Nm

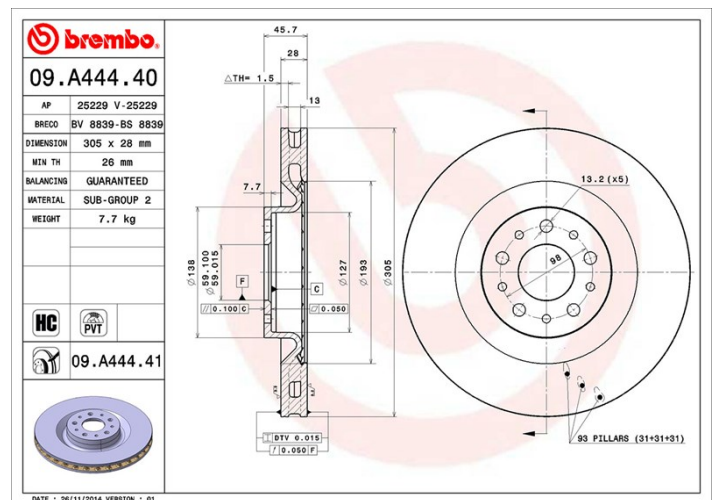


## Brand part numbers

**Brembo**  
09.A444.40

**AP**  
25229

**Breco**  
BS 8839



## Technical specifications

### PVT vented disc

The PVT disc uses, in its ventilation chamber, pillars instead of vanes. Disc cooling capacity is enhanced by an extra 40% and therefore provides more resistance against thermal cracking.

### High Carbon disc (HC)

Thanks to the high percentage of carbon in the chemical composition of the cast iron, the HC disc provides greater damping coefficient, able to reduce vibration and noise while driving.



## Compatible vehicles

### FIAT

Model	Type	Kw	Year
500L (351_, 352_)	1.4	88	10/13 -
500L (351_, 352_)	1.4 LPG	88	02/14 -
500L (351_, 352_)	1.6 D Multijet	88	09/13 -
DOBLO Box Body / Estate (263_)	1.3 D Multijet	66	02/10 -
DOBLO Box Body / Estate (263_)	1.3 D Multijet	59	03/16 -
DOBLO Box Body / Estate (263_)	1.3 D Multijet	70	03/16 -

DOBLO Box Body / Estate (263_)	1.3 D Multijet	55	11/13 -
DOBLO Box Body / Estate (263_)	1.4	70	02/10 -
DOBLO Box Body / Estate (263_)	1.4	88	10/11 -
DOBLO Box Body / Estate (263_)	1.4 Natural Power	88	06/10 -
DOBLO Box Body / Estate (263_)	1.6 D Multijet	66	02/10 -
DOBLO Box Body / Estate (263_)	1.6 D Multijet	74	02/10 -
DOBLO Box Body / Estate (263_)	1.6 D Multijet	77	02/10 -
DOBLO Box Body / Estate (263_)	1.6 D Multijet	88	02/16 -
DOBLO Box Body / Estate (263_)	2.0 D Multijet	99	02/10 -
DOBLO MPV (263_)	1.3 D Multijet	66	02/10 -
DOBLO MPV (263_)	1.3 D Multijet	55	03/15 -
DOBLO MPV (263_)	1.3 D Multijet	70	03/16 -
DOBLO MPV (263_)	1.4	70	02/10 -
DOBLO MPV (263_)	1.4	88	10/11 -
DOBLO MPV (263_)	1.4 Natural Power	88	02/10 -
DOBLO MPV (263_)	1.6 D Multijet	66	02/10 -
DOBLO MPV (263_)	1.6 D Multijet	77	02/10 -
DOBLO MPV (263_)	1.6 D Multijet	70	03/15 -
DOBLO MPV (263_)	1.6 D Multijet	88	03/15 -
DOBLO MPV (263_)	1.6 D Multijet	74	03/16 -
DOBLO MPV (263_)	2.0 D Multijet	99	02/10 -
DOBLO Platform/Chassis (263_)	1.3 D Multijet	66	02/10 -
DOBLO Platform/Chassis (263_)	1.3 D Multijet	59	03/16 -
DOBLO Platform/Chassis (263_)	1.3 D Multijet	70	03/16 -
DOBLO Platform/Chassis (263_)	1.3 D Multijet	55	11/13 -
DOBLO Platform/Chassis (263_)	1.4	70	04/10 -
DOBLO Platform/Chassis (263_)	1.4	88	10/11 -
DOBLO Platform/Chassis (263_)	1.4 Natural Power	88	06/10 -
DOBLO Platform/Chassis (263_)	1.6 D Multijet	66	02/10 -
DOBLO Platform/Chassis (263_)	1.6 D Multijet	77	02/10 -
DOBLO Platform/Chassis (263_)	1.6 D Multijet	74	02/11 -
DOBLO Platform/Chassis (263_)	1.6 D Multijet	88	02/16 -
DOBLO Platform/Chassis (263_)	2.0 D Multijet	99	02/10 -

Model	Type	Kw	Year
COMBO Box Body / Estate (X12)	1.3 CDTI (B05)	55	02/12 -
COMBO Box Body / Estate (X12)	1.3 CDTI (B05)	66	02/12 -
COMBO Box Body / Estate (X12)	1.3 CDTI (B05)	70	03/16 -
COMBO Box Body / Estate (X12)	1.4 (B05)	70	02/12 -
COMBO Box Body / Estate (X12)	1.4 (B05)	88	02/12 -
COMBO Box Body / Estate (X12)	1.4 CNG (B05)	88	02/12 -
COMBO Box Body / Estate (X12)	1.6 CDTI (B05)	66	02/12 -
COMBO Box Body / Estate (X12)	1.6 CDTI (B05)	74	02/12 -
COMBO Box Body / Estate (X12)	1.6 CDTI (B05)	77	02/12 -
COMBO Box Body / Estate (X12)	1.6 CDTI (B05)	70	04/15 -
COMBO Box Body / Estate (X12)	1.6 CDTI (B05)	88	04/15 -
COMBO Box Body / Estate (X12)	2.0 CDTI (B05)	99	02/12 -
COMBO Combi / Tour (X12)	1.3 CDTI (C26, D26, E26, C05)	66	02/12 -
COMBO Combi / Tour (X12)	1.4 (C26, D26, E26, C06)	70	02/12 -
COMBO Combi / Tour (X12)	1.4 (C26, D26, E26, C06)	88	02/12 -
COMBO Combi / Tour (X12)	1.4 CNG (C26, D26, E26, C05)	88	02/12 -
COMBO Combi / Tour (X12)	1.6 CDTI (C26, D26, E26, C05)	66	02/12 -
COMBO Combi / Tour (X12)	1.6 CDTI (C26, D26, E26, C05)	74	02/12 -
COMBO Combi / Tour (X12)	1.6 CDTI (C26, D26, E26, C05)	77	02/12 -
COMBO Combi / Tour (X12)	1.6 CDTI (C26, D26, E26, C05)	70	03/15 -
COMBO Combi / Tour (X12)	1.6 CDTI (C26, D26, E26, C05)	88	03/15 -
COMBO Combi / Tour (X12)	2.0 CDTI (C26, D26, E26, C05)	99	02/12 -
COMBO Platform/Chassis (X12)	1.3 CDTI	55	08/12 -
COMBO Platform/Chassis (X12)	2.0 CDTI	99	08/12 -

## VAUXHALL

Model	Type	Kw	Year
COMBO Mk III (D) Box Body / Estate (X12)	1.3 CDTi	70	03/16 -
COMBO Mk III (D) Box Body / Estate (X12)	1.3 CDTi	66	11/11 -
COMBO Mk III (D) Box Body / Estate (X12)	1.4	70	11/11 -
COMBO Mk III (D) Box Body / Estate (X12)	1.4 CNG	88	11/11 -
COMBO Mk III (D) Box Body / Estate (X12)	1.6 CDTi	66	11/11 -
COMBO Mk III (D) Box Body / Estate (X12)	1.6 CDTi	74	11/11 -
COMBO Mk III (D) Box Body / Estate (X12)	1.6 CDTi	77	11/11 -

**OE Part number****Compatible OE codes**

FIAT	51854567
FIAT	51897455
FIAT	51914663
FIAT	52067169
FIAT	68201086AA
OPEL	569087
OPEL	569096
OPEL	95511283
OPEL	95515332
VAUXHALL	95511283
VAUXHALL	95515332