

Disc technical data

Axle Front

Diameter
304 mm

Overall height (A)
47,5 mm

Centring diameter (B)
67 mm

Number of holes (C)
5

Thickness (TH)
30 mm

Minimum thickness
27,4 mm

Tightening torque
130 Nm

Unit per box
2

EANCode
8020584018071

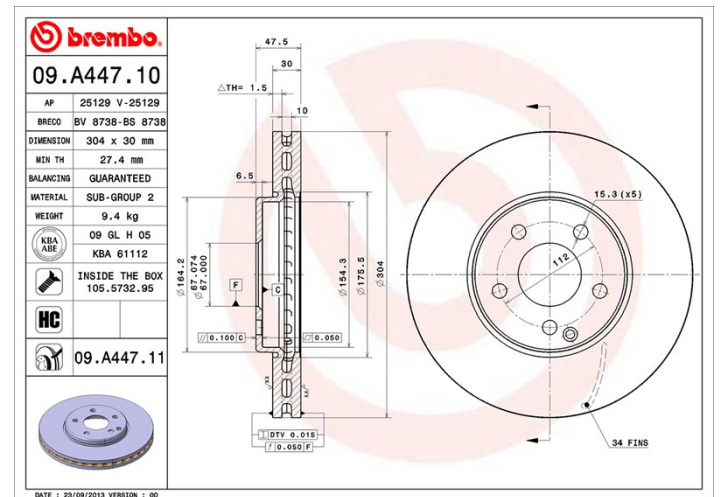


Brand part numbers

Brembo
09.A447.10

AP
25129

Breco
BS 8738



Technical specifications

High Carbon disc (HC)

Thanks to the high percentage of carbon in the chemical composition of the cast iron, the HC disc provides greater damping coefficient, able to reduce vibration and noise while driving.

HC

Disc with fixing screw

By supplying the fixing screw in the disc box, Brembo provides extra help to the mechanic if the original screw is rusty or worn to such an extent as to prevent or make it difficult to reuse.



Compatible vehicles

MERCEDES-BENZ

| Model | Type | Kw | Year |
|----------------|-----------------------------|-----|-------------|
| E-CLASS (W211) | E 240 4-matic (211.080) | 130 | 03/03 12/08 |
| E-CLASS (W211) | E 280 4-matic (211.092) | 170 | 01/06 12/08 |
| E-CLASS (W211) | E 280 CDI 4-matic (211.084) | 140 | 03/05 12/08 |
| E-CLASS (W211) | E 320 4-matic (211.082) | 165 | 03/03 12/08 |
| E-CLASS (W211) | E 320 CDI 4-matic (211.089) | 165 | 03/05 12/08 |

| | | | |
|------------------------|-------------------------------|-----|-------------|
| E-CLASS (W211) | E 350 4-matic (211.087) | 200 | 03/05 12/08 |
| E-CLASS T-Model (S211) | E 240 T 4-matic (211.280) | 130 | 07/03 07/09 |
| E-CLASS T-Model (S211) | E 280 T 4-matic (211.292) | 170 | 03/05 07/09 |
| E-CLASS T-Model (S211) | E 280 T CDI 4-matic (211.284) | 140 | 03/05 07/09 |
| E-CLASS T-Model (S211) | E 320 T 4-matic (211.282) | 165 | 07/03 07/09 |
| E-CLASS T-Model (S211) | E 320 T CDI 4-matic (211.289) | 165 | 03/05 07/09 |
| E-CLASS T-Model (S211) | E 350 T 4-matic (211.287) | 200 | 03/05 07/09 |

OE Part number

Compatible OE codes

MERCEDES-BENZ

2114211212

MERCEDES-BENZ

A2114211212