

Disc technical data

Axle Front

Diameter
304 mm

Overall height (A)
47,5 mm

Centring diameter (B)
67 mm

Number of holes (C)
5

Thickness (TH)
30 mm

Minimum thickness
27,4 mm

Tightening torque
130 Nm

Unit per box
1

EANCode
8020584034767

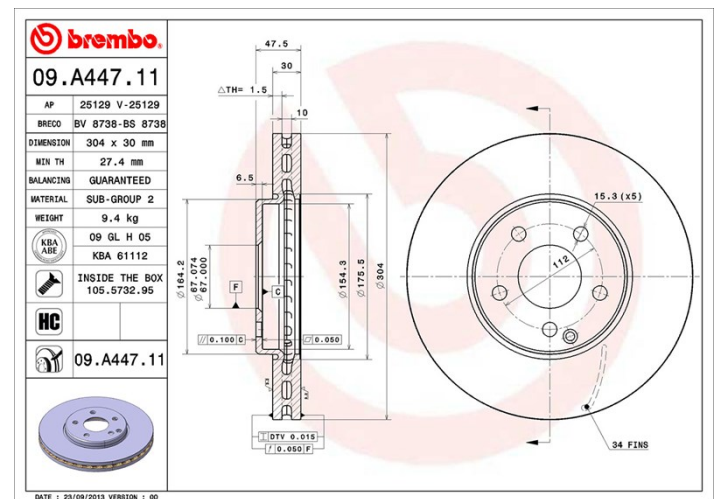


Brand part numbers

Brembo
09.A447.11

AP
25129 V

Breco
BV 8738



Technical specifications

High Carbon disc (HC)

Thanks to the high percentage of carbon in the chemical composition of the cast iron, the HC disc provides greater damping coefficient, able to reduce vibration and noise while driving.

HC

Disc with fixing screw

By supplying the fixing screw in the disc box, Brembo provides extra help to the mechanic if the original screw is rusty or worn to such an extent as to prevent or make it difficult to reuse.



UV Disc

The UV coating process provides a superior corrosion resistance and full disc protection.



Compatible vehicles

MERCEDES-BENZ

Model	Type	Kw	Year
E-CLASS (W211)	E 240 4-matic (211.080)	130	03/03 12/08
E-CLASS (W211)	E 280 4-matic (211.092)	170	01/06 12/08
E-CLASS (W211)	E 280 CDI 4-matic (211.084)	140	03/05 12/08

E-CLASS (W211)	E 320 4-matic (211.082)	165	03/03 12/08
E-CLASS (W211)	E 320 CDI 4-matic (211.089)	165	03/05 12/08
E-CLASS (W211)	E 350 4-matic (211.087)	200	03/05 12/08
E-CLASS T-Model (S211)	E 240 T 4-matic (211.280)	130	07/03 07/09
E-CLASS T-Model (S211)	E 280 T 4-matic (211.292)	170	03/05 07/09
E-CLASS T-Model (S211)	E 280 T CDI 4-matic (211.284)	140	03/05 07/09
E-CLASS T-Model (S211)	E 320 T 4-matic (211.282)	165	07/03 07/09
E-CLASS T-Model (S211)	E 320 T CDI 4-matic (211.289)	165	03/05 07/09
E-CLASS T-Model (S211)	E 350 T 4-matic (211.287)	200	03/05 07/09

OE Part number

Compatible OE codes

MERCEDES-BENZ	2114211212
---------------	------------

MERCEDES-BENZ	A2114211212
---------------	-------------