

# Disc 09.A448.10



## Disc technical data

**Axle** Front

**Diameter**  
330 mm

**Overall height (A)**  
46,5 mm

**Centring diameter (B)**  
67 mm

**Number of holes (C)**  
5

**Thickness (TH)**  
28 mm

**Minimum thickness**  
26 mm

**Tightening torque**   
110 Nm

**Unit per box**  
1

**EANCode**  
8020584018330

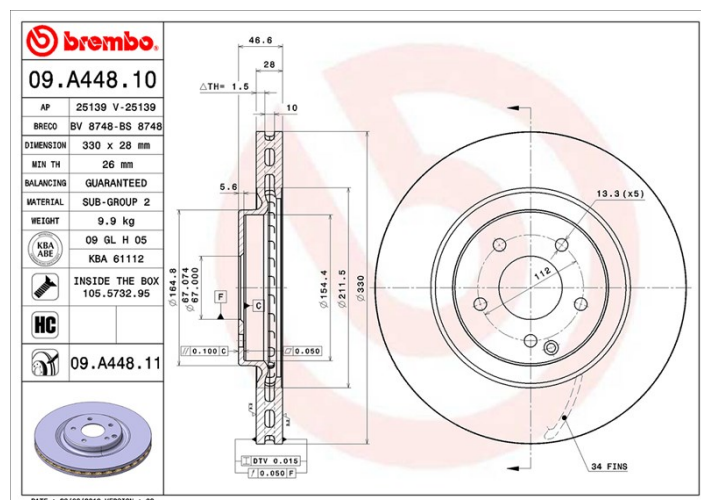


## Brand part numbers

**Brembo**  
09.A448.10

**AP**  
25139

**Breco**  
BS 8748



## Technical specifications

### High Carbon disc (HC)

Thanks to the high percentage of carbon in the chemical composition of the cast iron, the HC disc provides greater damping coefficient, able to reduce vibration and noise while driving.



### Disc with fixing screw

By supplying the fixing screw in the disc box, Brembo provides extra help to the mechanic if the original screw is rusty or worn to such an extent as to prevent or make it difficult to reuse.



## Compatible vehicles

### MERCEDES-BENZ

Model	Type	Kw	Year
C-CLASS (W203)	C 320 CDI (203.020)	165	01/05 02/07
C-CLASS (W203)	C 350 (203.056)	200	01/05 02/07
C-CLASS Coupe (CL203)	C 350 (203.756)	200	01/05 05/08
C-CLASS T-Model (S203)	C 320 CDI (203.220)	165	06/05 08/07
C-CLASS T-Model (S203)	C 350 (203.256)	200	01/05 08/07
CLC-CLASS (CL203)	CLC 350 (203.756)	200	05/08 06/11

CLK (C209)	320 CDI (209.320)	165	01/05 05/09
CLK (C209)	350 (209.356)	200	01/05 05/09
CLK Convertible (A209)	CLK 320 CDI (209.420)	165	03/05 03/10
CLK Convertible (A209)	CLK 350 (209.456)	200	01/05 03/10

## OE Part number

### Compatible OE codes

MERCEDES-BENZ	2034210412
MERCEDES-BENZ	A2034210412