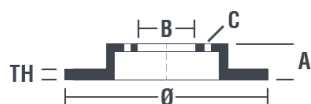


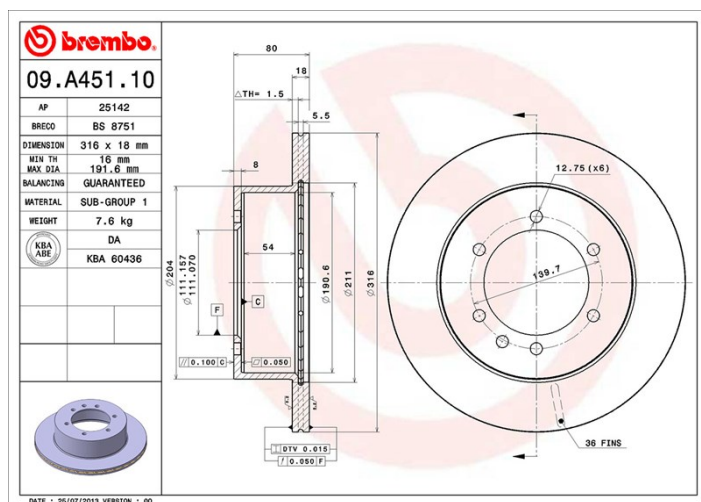
Disc technical data

Axle Rear	Diameter 316 mm
Overall height (A) 80 mm	Centring diameter (B) 111 mm
Number of holes (C) 6	Thickness (TH) 18 mm
Minimum thickness 16 mm	Tightening torque 133 Nm
Unit per box 2	EANCode 8020584018408



Brand part numbers

Brembo 09.A451.10	AP 25142	Breco BS 8751
-----------------------------	--------------------	-------------------------



Technical specifications

Compatible vehicles

NISSAN				
Model	Type	Kw	Year	
PATROL GR IV (Y60, GR)	4.2 Cat	121	11/88 02/98	
PATROL GR IV (Y60, GR)	4.2 D (Y60GR)	85	11/88 06/97	
PATROL GR V Wagon (Y61)	2.8 TD	95	06/97 05/00	
PATROL GR V Wagon (Y61)	3.0 DTi	116	05/00 -	
PATROL GR V Wagon (Y61)	3.0 DTi	118	05/00 -	
PATROL GR V Wagon (Y61)	4.2 TD	107	06/97 -	
PATROL GR V Wagon (Y61)	4.5 i	147	06/97 -	
PATROL GR V Wagon (Y61)	4.8	180	03/00 -	

OE Part number

Compatible OE codes

NISSAN	4320605J03
--------	------------

NISSAN	4320605J04
--------	------------

NISSAN	43206VB000
--------	------------