

Disc 09.A455.11



Disc technical data

Axle Front

Diameter
282 mm

Overall height (A)
47,2 mm

Centring diameter (B)
64,2 mm

Number of holes (C)
5

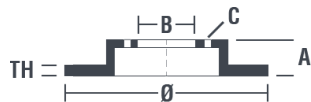
Thickness (TH)
23 mm

Minimum thickness
21 mm

Tightening torque
108 Nm

Unit per box
2

EANCode
8020584222188

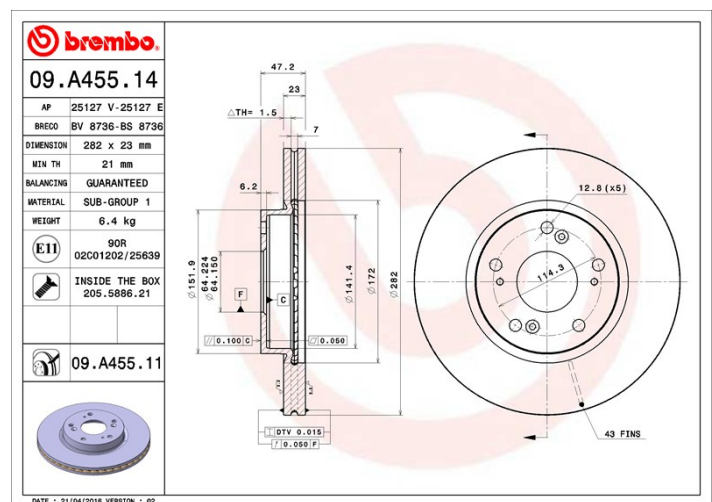


Brand part numbers

Brembo
09.A455.11

AP
25127 V

Breco
BV 8736



Technical specifications

Disc with fixing screw

By supplying the fixing screw in the disc box, Brembo provides extra help to the mechanic if the original screw is rusty or worn to such an extent as to prevent or make it difficult to reuse.



UV Disc

The UV coating process provides a superior corrosion resistance and full disc protection.



Compatible vehicles

HONDA			
Model	Type	Kw	Year
CIVIC VIII Hatchback (FN, FK)	1.4 (FK1)	61	09/05 -
CIVIC VIII Hatchback (FN, FK)	1.4 (FK1, FN4)	73	10/08 -
CIVIC VIII Hatchback (FN, FK)	1.6	84	09/05 -
CIVIC VIII Hatchback (FN, FK)	1.8 (FN1, FK2)	103	09/05 -
CIVIC VIII Hatchback (FN, FK)	2.2 CTDi (FK3)	103	09/05 -
CIVIC VIII Saloon (FD, FA)	1.6	84	09/05 -

CIVIC VIII Saloon (FD, FA)	1.8 (FD1, FD7)	103	09/05 02/12
CIVIC VIII Saloon (FD, FA)	1.8 EXS Flex	103	11/06 -
FR-V (BE)	1.7 (BE1)	92	08/04 -
FR-V (BE)	1.8 (BE1)	103	01/07 -
FR-V (BE)	2.0 (BE3)	110	02/05 -
STREAM	1.8 Vtec	103	10/05 -
STREAM	2.0 Vtec	110	10/05 -

OE Part number

Compatible OE codes

HONDA	45251S7AE10
HONDA	45251S7AE11
HONDA	45251SMGE31
HONDA	45251SMGG10
HONDA	45251SMGG11