

Disc technical data

Axle Rear

Diameter
365 mm

Overall height (A)
47,5 mm

Centring diameter (B)
67,4 mm

Number of holes (C)
5

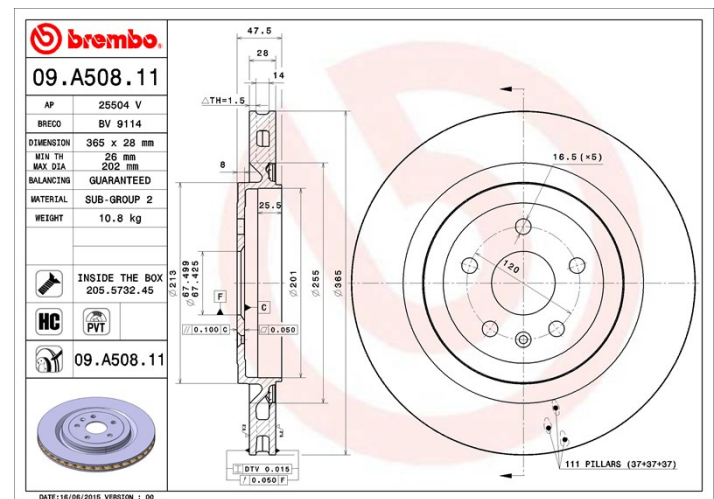
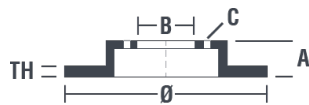
Thickness (TH)
28 mm

Minimum thickness
26 mm

Tightening torque
Nm

Unit per box
1

EANCode
8020584211205



Brand part numbers

Brembo
09.A508.11

AP
25504 V

Breco
BV 9114

Technical specifications

PVT vented disc

The PVT disc uses, in its ventilation chamber, pillars instead of vanes. Disc cooling capacity is enhanced by an extra 40% and therefore provides more resistance against thermal cracking.



High Carbon disc (HC)

Thanks to the high percentage of carbon in the chemical composition of the cast iron, the HC disc provides greater damping coefficient, able to reduce vibration and noise while driving.



Disc with fixing screw

By supplying the fixing screw in the disc box, Brembo provides extra help to the mechanic if the original screw is rusty or worn to such an extent as to prevent or make it difficult to reuse.



UV Disc

The UV coating process provides a superior corrosion resistance and full disc protection.



Compatible vehicles

CADILLAC

Model	Type	Kw	Year
CTS	6.2	415	01/09 -

CTS Coupe	6.2 V	415	01/08 07/14
CTS Sport Wagon	6.2	415	09/11 -
CHEVROLET			
Model	Type	Kw	Year
CAMARO	6.2	298	09/09 12/15
CAMARO	6.2	318	09/09 12/15
CAMARO	6.2 ZL1	432	09/12 12/15
CAMARO Convertible	6.2	298	01/11 -
CAMARO Convertible	6.2	318	01/11 -
CAMARO Convertible	6.2 ZL1	432	09/11 -

OE Part number

Compatible OE codes	
CADILLAC	25851166
CADILLAC	92223366
CADILLAC	92245929
CHEVROLET	25851166
CHEVROLET	92223366
CHEVROLET	92245929