

Disc technical data

Axle Rear

Diameter
330 mm

Overall height (A)
60,5 mm

Centring diameter (B)
69 mm

Number of holes (C)
5

Thickness (TH)
20 mm

Minimum thickness
18 mm

Tightening torque
Nm

Unit per box
1

EANCode
8020584221136

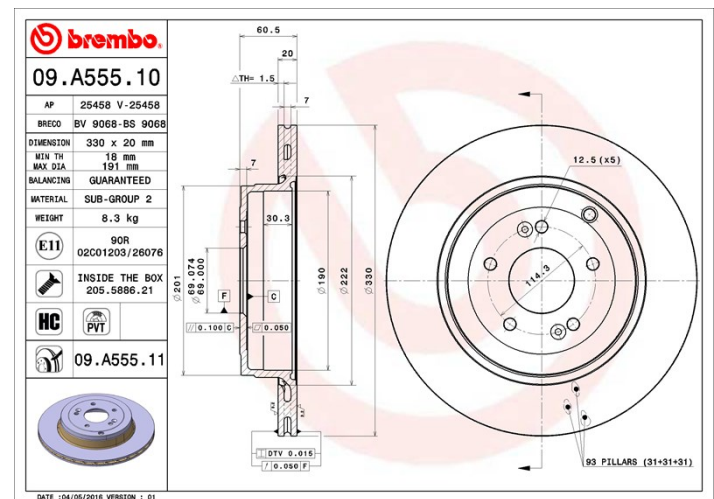


Brand part numbers

Brembo
09.A555.11

AP
25458 V

Breco
BV 9068



Technical specifications

PVT vented disc

The PVT disc uses, in its ventilation chamber, pillars instead of vanes. Disc cooling capacity is enhanced by an extra 40% and therefore provides more resistance against thermal cracking.



High Carbon disc (HC)

Thanks to the high percentage of carbon in the chemical composition of the cast iron, the HC disc provides greater damping coefficient, able to reduce vibration and noise while driving.



Disc with fixing screw

By supplying the fixing screw in the disc box, Brembo provides extra help to the mechanic if the original screw is rusty or worn to such an extent as to prevent or make it difficult to reuse.



UV Disc

The UV coating process provides a superior corrosion resistance and full disc protection.



Compatible vehicles

HYUNDAI

Model	Type	Kw	Year
GENESIS Coupe	2.0	191	01/13 -

GENESIS Coupe	2.0 CWT	184	02/13 02/14
GENESIS Coupe	2.0 CWT	154	06/08 02/14
GENESIS Coupe	2.0 T	157	01/08 12/12
GENESIS Coupe	2.0 T	204	04/12 02/14
GENESIS Coupe	2.0 T	202	11/11 12/14
GENESIS Coupe	3.8 V6	223	01/08 02/14
GENESIS Coupe	3.8 V6	260	04/12 -
GENESIS Coupe	3.8 V6	255	11/11 12/14

OE Part number

Compatible OE codes

HYUNDAI	584112M700
---------	------------