

Disc 09.A603.11

Disc technical data

Axle Front

Diameter
325 mm

Overall height (A)
49,5 mm

Centring diameter (B)
73,8 mm

Number of holes (C)
5

Thickness (TH)
28,5 mm

Minimum thickness
26 mm

Tightening torque 
103 Nm

Unit per box
2

EANCode
8020584019498

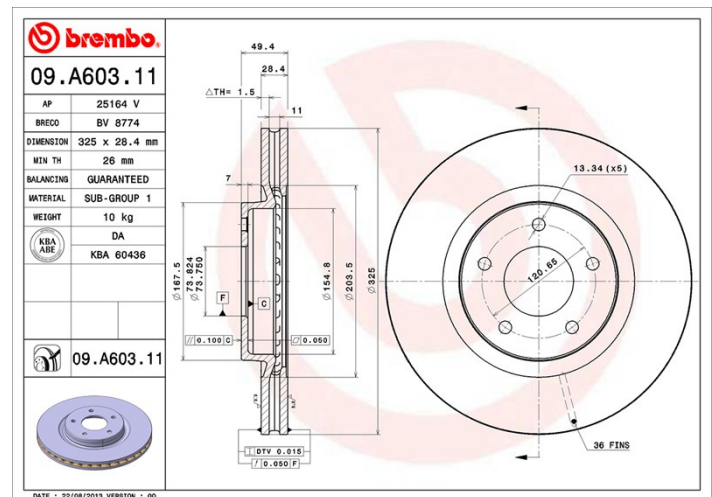


Brand part numbers

Brembo
09.A603.11

AP
25164 V

Breco
BV 8774



Technical specifications

UV Disc

The UV coating process provides a superior corrosion resistance and full disc protection.



Compatible vehicles

JAGUAR

Model	Type	Kw	Year
XJ (X308)	3.2	174	07/97 05/03
XJ (X308)	4.0	209	07/97 05/03
XJ (X308)	4.0	267	07/97 05/03
XJ (X308)	4.0	216	10/97 04/03
XK 8 Convertible (X100)	4.0	267	02/98 07/05
XK 8 Convertible (X100)	4.0	209	03/96 12/02
XK 8 Convertible (X100)	4.0	216	05/96 07/99

XK 8 Convertible (X100)	4.2	219	08/02 12/06
XK 8 Coupe (X100)	4.0	267	02/98 07/05
XK 8 Coupe (X100)	4.0	209	03/96 07/05
XK 8 Coupe (X100)	4.0	216	05/96 07/05
XK 8 Coupe (X100)	4.2	219	08/02 07/05

OE Part number

Compatible OE codes

JAGUAR	C2C41250
JAGUAR	JLM20617