

## Disc technical data

**Axle** Front

**Diameter**  
296 mm

**Overall height (A)**  
49,3 mm

**Centring diameter (B)**  
62 mm

**Number of holes (C)**  
5

**Thickness (TH)**  
28 mm

**Minimum thickness**  
25 mm

**Tightening torque**   
103 Nm

**Unit per box**  
2

**EANCode**  
8020584019689

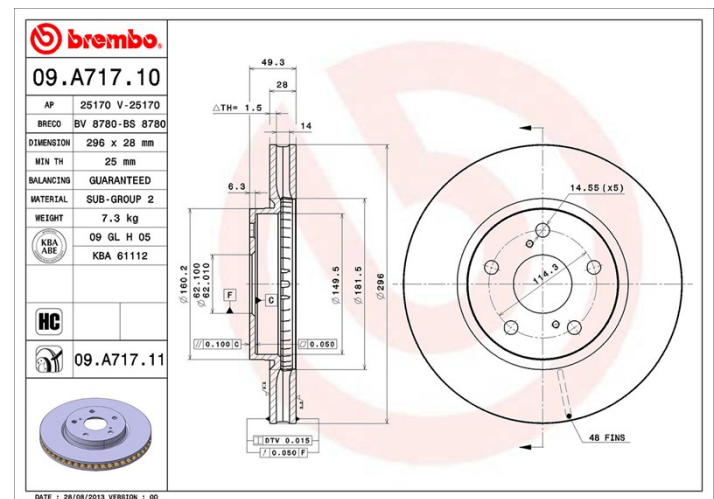


## Brand part numbers

**Brembo**  
09.A717.10

**AP**  
25170

**Breco**  
BS 8780



## Technical specifications

### High Carbon disc (HC)

Thanks to the high percentage of carbon in the chemical composition of the cast iron, the HC disc provides greater damping coefficient, able to reduce vibration and noise while driving.

**HC**

## Compatible vehicles

LEXUS			
Model	Type	Kw	Year
IS C (GSE2_)	250 (GSE20)	153	04/09 06/15
IS II (_E2_)	200d (ALE20_)	110	07/10 07/12
IS II (_E2_)	220d (ALE20)	130	08/05 07/12
IS II (_E2_)	250 (GSE20)	153	08/05 03/13
IS II (_E2_)	250 (GSE20_)	158	11/10 03/13
IS II (_E2_)	250 AWD (GSE25_)	153	10/05 03/13
IS II (_E2_)	250 AWD (GSE25_)	158	11/10 03/13

IS II (_E2_)	300 (GSE22_)	170	08/08 03/13
IS II (_E2_)	350 (GSE21)	234	01/08 03/13
IS II (_E2_)	350 (GSE21_)	228	08/05 03/13
IS II (_E2_)	350 AWD (GSE21)	228	09/10 03/13
IS III (_E3_)	250 (GSE30_)	153	04/13 -
IS III (_E3_)	300h (AVE30_)	133	04/13 -

## OE Part number

### Compatible OE codes

LEXUS	4351230310
-------	------------