

Disc 09.A731.10

brembo
AFTERMARKET

Disc technical data

Axle Front

Diameter
345 mm

Overall height (A)
46,5 mm

Centring diameter (B)
67 mm

Number of holes (C)
5

Thickness (TH)
30 mm

Minimum thickness
28 mm

Tightening torque 
110 Nm

Unit per box
1

EANCode
8020584028759



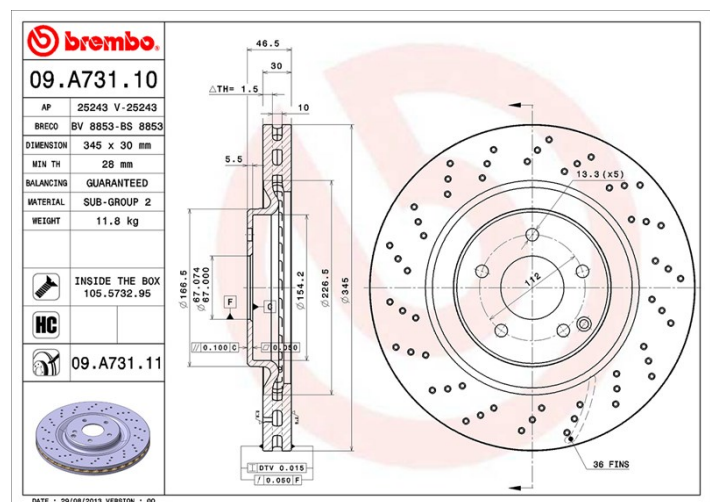
brembo

Brand part numbers

Brembo
09.A731.10

AP
25243

Breco
BS 8853



Technical specifications

High Carbon disc (HC)

Thanks to the high percentage of carbon in the chemical composition of the cast iron, the HC disc provides greater damping coefficient, able to reduce vibration and noise while driving.

HC

Disc with fixing screw

By supplying the fixing screw in the disc box, Brembo provides extra help to the mechanic if the original screw is rusty or worn to such an extent as to prevent or make it difficult to reuse.



Compatible vehicles

MERCEDES-BENZ

Model	Type	Kw	Year
C-CLASS (W203)	C 30 CDI AMG (203.018)	170	01/03 02/07
C-CLASS (W203)	C 32 AMG Kompressor (203.065)	260	02/01 02/07
C-CLASS (W203)	C 320 CDI (203.020)	165	01/05 02/07
C-CLASS (W203)	C 350 (203.056)	200	01/05 02/07
C-CLASS (W203)	C 350 4-matic (203.087)	200	01/05 02/07

C-CLASS (W203)	C 55 AMG (203.076)	270	02/04 02/07
C-CLASS Coupe (CL203)	C 30 CDI AMG (203.718)	170	09/02 05/08
C-CLASS Coupe (CL203)	C 32 AMG Kompressor (203.765)	260	05/02 05/08
C-CLASS T-Model (S203)	C 30 CDI AMG (203.218)	170	01/03 08/07
C-CLASS T-Model (S203)	C 32 AMG Kompressor (203.265)	260	03/01 08/07
C-CLASS T-Model (S203)	C 320 CDI (203.220)	165	06/05 08/07
C-CLASS T-Model (S203)	C 350 (203.256)	200	01/05 08/07
C-CLASS T-Model (S203)	C 350 4-matic (203.287)	200	01/05 08/07
C-CLASS T-Model (S203)	C 55 AMG (203.276)	270	02/04 08/07
CLK (C209)	320 CDI (209.320)	165	01/05 05/09
CLK (C209)	350 (209.356)	200	01/05 05/09
CLK (C209)	500 (209.372)	285	06/06 05/09
CLK (C209)	500 (209.375)	225	06/02 05/09
CLK (C209)	55 AMG (209.376)	270	09/02 05/09
CLK Convertible (A209)	CLK 320 CDI (209.420)	165	03/05 03/10
CLK Convertible (A209)	CLK 350 (209.456)	200	01/05 03/10
CLK Convertible (A209)	CLK 500 (209.472)	285	06/06 03/10
CLK Convertible (A209)	CLK 500 (209.475)	225	02/03 03/10
CLK Convertible (A209)	CLK 55 AMG (209.476)	270	02/03 03/10
SLK (R171)	55 AMG (171.473)	265	06/04 02/11
SLK (R171)	55 AMG (171.473)	294	06/06 02/11

OE Part number

Compatible OE codes

MERCEDES-BENZ	2034210912
MERCEDES-BENZ	A2034210912