

## Disc technical data

**Axle** Rear

**Diameter**  
300 mm

**Overall height (A)**  
35,9 mm

**Centring diameter (B)**  
68 mm

**Number of holes (C)**  
5

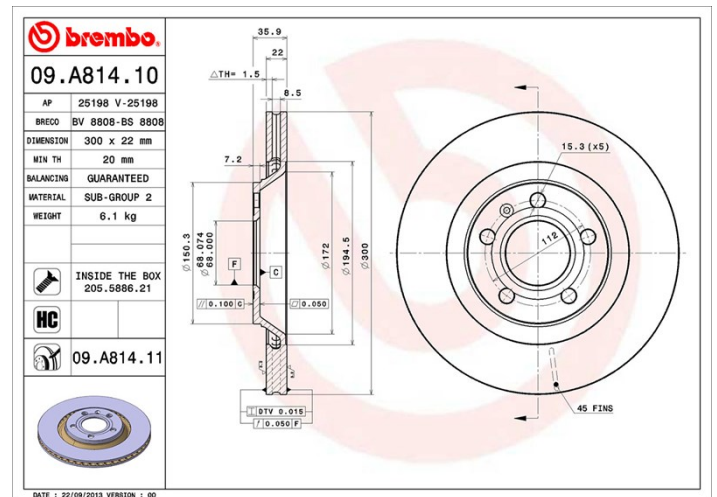
**Thickness (TH)**  
22 mm

**Minimum thickness**  
20 mm

**Tightening torque**   
120 Nm

**Unit per box**  
2

**EANCode**  
8020584023549



## Brand part numbers

**Brembo**  
09.A814.11

**AP**  
25198 V

**Breco**  
BV 8808

## Technical specifications

### High Carbon disc (HC)

Thanks to the high percentage of carbon in the chemical composition of the cast iron, the HC disc provides greater damping coefficient, able to reduce vibration and noise while driving.

**HC**

### Disc with fixing screw

By supplying the fixing screw in the disc box, Brembo provides extra help to the mechanic if the original screw is rusty or worn to such an extent as to prevent or make it difficult to reuse.



### UV Disc

The UV coating process provides a superior corrosion resistance and full disc protection.



## Compatible vehicles

### AUDI

Model	Type	Kw	Year
A4 (8E2, B6)	S4 quattro	253	03/03 12/04
A4 (8EC, B7)	2.0 TFSI	162	06/05 06/08
A4 (8EC, B7)	2.0 TFSI quattro	162	06/05 06/08

A4 (8EC, B7)	S4 quattro	253	11/04 06/08
A4 Avant (8E5, B6)	S4 quattro	253	03/03 12/04
A4 Avant (8ED, B7)	S4 quattro	253	11/04 06/08
A4 Convertible (8H7, B6, 8HE, B7)	3.2 FSI	188	01/06 03/09
A4 Convertible (8H7, B6, 8HE, B7)	3.2 FSI quattro	188	01/06 03/09
A4 Convertible (8H7, B6, 8HE, B7)	S4 quattro	253	03/04 03/09

## OE Part number

### Compatible OE codes

AUDI	8E0615601K
------	------------

AUDI	8E0615601R
------	------------