

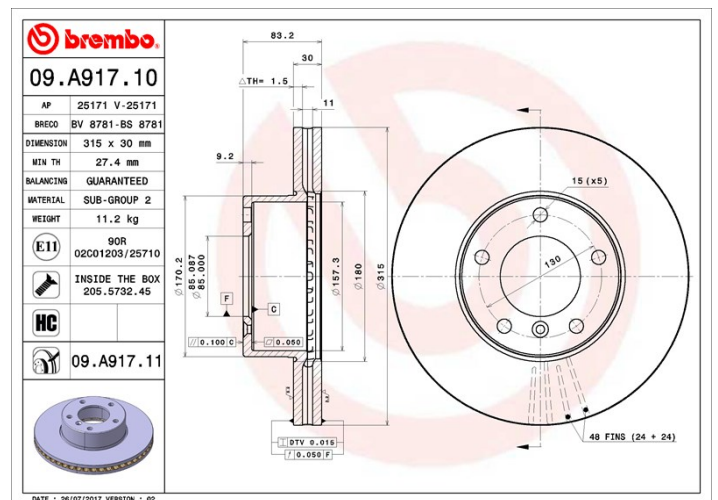
Disc technical data

Axle Front	Diameter (Diameter) 315 mm
Overall height (A) 83,2 mm	Centring diameter (B) 85 mm
Number of holes (C) 5	Thickness (TH) 30 mm
Minimum thickness 27,4 mm	Tightening torque Nm
Unit per box 1	EANCode 8020584019719



Brand part numbers

Brembo 09.A917.10	AP 25171	Breco BS 8781
-----------------------------	--------------------	-------------------------



Technical specifications

High Carbon disc (HC)

Thanks to the high percentage of carbon in the chemical composition of the cast iron, the HC disc provides greater damping coefficient, able to reduce vibration and noise while driving.



Disc with fixing screw

By supplying the fixing screw in the disc box, Brembo provides extra help to the mechanic if the original screw is rusty or worn to such an extent as to prevent or make it difficult to reuse.



Compatible vehicles

MERCEDES-BENZ

Model	Type	Kw	Year
G-CLASS (W461)	G 280 CDI (461.304, 461.346, 461.370, 461.334, 461.339,...)	135	04/09 -
G-CLASS (W461)	G 300 CDI	135	04/10 -
G-CLASS (W463)	200 GE (463.220)	85	01/90 07/93
G-CLASS (W463)	230 GE (463.224, 463.225)	93	06/90 06/93
G-CLASS (W463)	250 GD (463.324, 463.325)	69	06/90 10/92

G-CLASS (W463)	300 GD / G 300 (463.327, 463.328)	83	09/89 06/93
G-CLASS (W463)	300 GE (463.227, 463.228)	128	06/90 08/97
G-CLASS (W463)	300 GE (463.227, 463.228)	125	09/89 08/93
G-CLASS (W463)	350 Turbo GD (463.320, 463.321)	100	09/91 08/96
G-CLASS (W463)	500 GE (463.228)	177	09/93 12/94
G-CLASS (W463)	G 270 CDI (463.322, 463.323)	115	10/01 -
G-CLASS (W463)	G 300 TD (463.330, 463.331)	130	08/96 07/00
G-CLASS (W463)	G 320 (463.230, 463.231)	155	09/94 12/97
G-CLASS (W463)	G 320 (463.232, 463.233, 463.244, 463.245)	158	07/97 -
G-CLASS (W463)	G 320 CDI (463.340, 463.341, 463.343)	165	09/06 -
G-CLASS (W463)	G 350 CDI	155	07/11 -
G-CLASS (W463)	G 350 d (463.348)	180	06/15 -
G-CLASS (W463)	G 36 AMG (463.230)	200	01/95 07/98
G-CLASS (W463)	G 400 CDI (463.332, 463.333)	184	12/00 -
G-CLASS (W463)	G 500 (463.222, 463.236, 463.237, 463.342)	285	05/08 -
G-CLASS (W463)	G 500 (463.234)	310	06/15 -
G-CLASS (W463)	G 500 (463.247, 463.248, 463.249, 463.240, 463.241)	218	04/98 -
G-CLASS (W463)	G 55 AMG (463.243, 463.246)	260	04/99 -
G-CLASS (W463)	G 55 AMG (463.270, 463.271)	350	06/04 -
G-CLASS (W463)	G 55 AMG (463.270, 463.271)	368	08/06 -
G-CLASS (W463)	G 55 AMG (463.270, 463.271)	373	08/08 -
G-CLASS Cabrio (W463)	200 GE (463.200)	80	01/90 07/93
G-CLASS Cabrio (W463)	200 GE (463.200)	85	01/90 07/93
G-CLASS Cabrio (W463)	230 GE (463.204)	93	06/90 02/93
G-CLASS Cabrio (W463)	300 GD / G 300 (463.307)	83	12/90 09/97
G-CLASS Cabrio (W463)	300 GE (463.207)	125	09/89 09/97
G-CLASS Cabrio (W463)	320 GE (463.208)	155	09/94 11/97
G-CLASS Cabrio (W463)	350 G Turbo-D (463.300)	100	09/91 09/97
G-CLASS Cabrio (W463)	G 300 TD (463.308)	130	09/96 07/00
G-CLASS Cabrio (W463)	G 320 (463.209)	158	11/97 -
G-CLASS Cabrio (W463)	G 320 CDI (463.303)	165	09/06 -

G-CLASS Cabrio (W463)	G 350 CDI	155	07/11 -
G-CLASS Cabrio (W463)	G 400 CDI (463.309)	184	12/00 -
G-CLASS Cabrio (W463)	G 500 (463)	218	04/98 -
G-CLASS Cabrio (W463)	G 500 (463.202)	285	12/09 -

PUCH

Model	Type	Kw	Year
G-MODELL (W 463)	230 GE	93	06/90 06/93
G-MODELL (W 463)	300 GD	83	09/89 08/93
G-MODELL (W 463)	300 GE	125	06/90 08/93
G-MODELL (W 463)	350 G Turbo D	100	09/91 08/96
G-MODELL (W 463)	G 300 TD	130	08/96 12/99
G-MODELL (W 463)	G 320	155	09/94 12/97
G-MODELL (W 463)	G 36 AMG	200	01/95 04/98
G-MODELL (W 463)	G 500	218	04/98 12/99
G-MODELL (W 463)	G 55 AMG	260	04/99 12/99

OE Part number

Compatible OE codes

MERCEDES-BENZ	4634210012
MERCEDES-BENZ	4634210112
MERCEDES-BENZ	4634210312
MERCEDES-BENZ	A4634210012
MERCEDES-BENZ	A4634210112
MERCEDES-BENZ	A4634210312
PUCH	4634210012
PUCH	4634210112
PUCH	4634210312