

Disc 09.B040.1X

Disc technical data

Axle Rear

Diameter
330 mm

Overall height (A)
36,2 mm

Centring diameter (B)
68 mm

Number of holes (C)
5

Thickness (TH)
22 mm

Minimum thickness
20,5 mm

Tightening torque
120 Nm

Unit per box
2

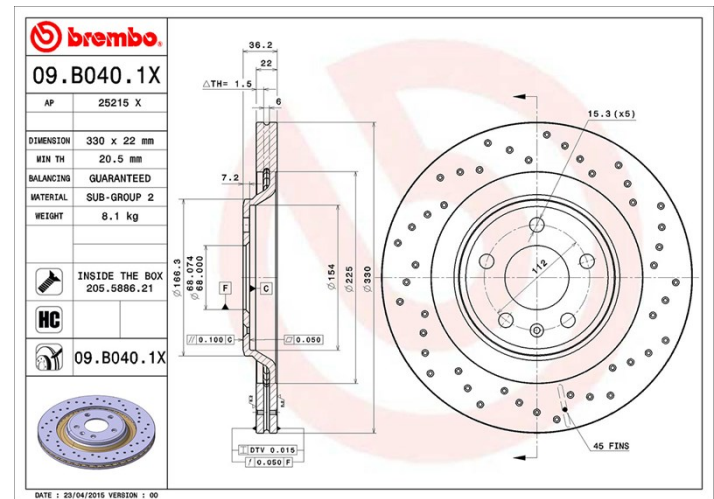
EANCode
8020584217726



Brand part numbers

Brembo
09.B040.1X

AP
25215 X



Technical specifications

High Carbon disc (HC)

Thanks to the high percentage of carbon in the chemical composition of the cast iron, the HC disc provides greater damping coefficient, able to reduce vibration and noise while driving.



Disc with fixing screw

By supplying the fixing screw in the disc box, Brembo provides extra help to the mechanic if the original screw is rusty or worn to such an extent as to prevent or make it difficult to reuse.



UV Disc

The UV coating process provides a superior corrosion resistance and full disc protection.



Compatible vehicles

AUDI

Model	Type	Kw	Year
A4 (8K2, B8)	S4 quattro	245	11/08 12/15
A4 Avant (8K5, B8)	S4 quattro	245	11/08 12/15
A5 (8T3)	S5 quattro	260	06/07 03/12

A5 Convertible (8F7)	S5 quattro	245	06/09 01/17
A5 Sportback (8TA)	S5 quattro	245	01/10 01/17
Q5 (8RB)	2.0 TDI	100	11/10 -
Q5 (8RB)	2.0 TDI	105	11/10 -
Q5 (8RB)	2.0 TDI quattro	130	06/12 -
Q5 (8RB)	2.0 TDI quattro	100	08/09 -
Q5 (8RB)	2.0 TDI quattro	105	08/09 -
Q5 (8RB)	2.0 TDI quattro	120	11/08 -
Q5 (8RB)	2.0 TDI quattro	125	11/08 -
Q5 (8RB)	2.0 TFSI hybrid quattro	155	06/11 -
Q5 (8RB)	2.0 TFSI quattro	165	06/12 -
Q5 (8RB)	2.0 TFSI quattro	132	08/09 -
Q5 (8RB)	2.0 TFSI quattro	155	11/08 -
Q5 (8RB)	3.0 TDI quattro	180	06/12 -
Q5 (8RB)	3.0 TDI quattro	184	06/12 -
Q5 (8RB)	3.0 TDI quattro	155	11/08 -
Q5 (8RB)	3.0 TDI quattro	176	11/08 -
Q5 (8RB)	3.0 TFSI quattro	200	06/12 -
Q5 (8RB)	3.2 FSI quattro	199	11/08 -

AUDI (FAW)

Model	Type	Kw	Year
Q5 (83B)	2.0 TFSI quattro	155	03/10 12/15
Q5 (83B)	35 TSFI quattro	132	04/13 12/15
Q5 (83B)	40 TFSI quattro	169	08/16 -
Q5 (83B)	40 TFSI quattro	165	11/14 -

OE Part number

Compatible OE codes

AUDI 8K0615601C