

Disc 09.B042.11



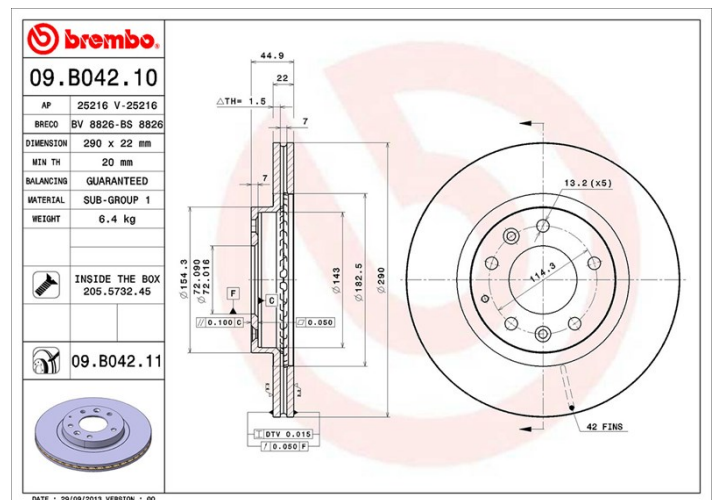
Disc technical data

Axle Front	Diameter 290 mm
Overall height (A) 45 mm	Centring diameter (B) 72 mm
Number of holes (C) 5	Thickness (TH) 22 mm
Minimum thickness 20 mm	Tightening torque
Unit per box 2	EANCode 8020584026212



Brand part numbers

Brembo 09.B042.11	AP 25216 V	Breco BV 8826
-----------------------------	----------------------	-------------------------



Technical specifications

UV Disc

The UV coating process provides a superior corrosion resistance and full disc protection.



Compatible vehicles

MAZDA			
Model	Type	Kw	Year
MX-5 III (NC)	1.8	93	03/05 12/14
MX-5 III (NC)	2.0	118	07/05 12/14

OE Part number

Compatible OE codes

MAZDA	N12Y3325X
MAZDA	N12Y3325XA
MAZDA	N12Y3325XB

