

Disc technical data

Axle Front

Diameter
280 mm

Overall height (A)
40 mm

Centring diameter (B)
88 mm

Number of holes (C)
6

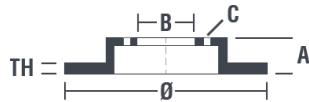
Thickness (TH)
27 mm

Minimum thickness
25,6 mm

Tightening torque
118 Nm

Unit per box
2

EANCode
8020584034491

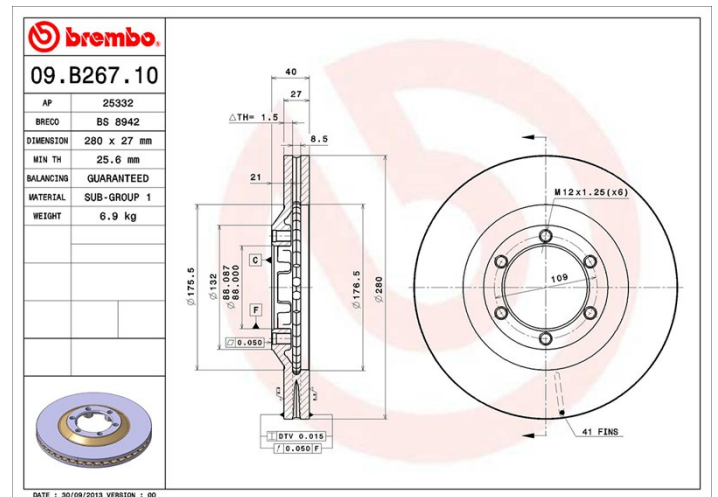


Brand part numbers

Brembo
09.B267.10

AP
25332

Breco
BS 8942



Technical specifications

Compatible vehicles

ISUZU

Model	Type	Kw	Year
D-MAX I (TFR, TFS)	2.5 DiTD (TFR86_)	74	10/02 06/12
D-MAX I (TFR, TFS)	2.5 DiTD (TFR86_)	100	10/06 06/12
D-MAX I (TFR, TFS)	2.5 DiTD 4x4 (TFS86_)	100	01/07 06/12
D-MAX I (TFR, TFS)	2.5 DiTD 4x4 (TFS86_)	74	05/02 06/12
D-MAX I (TFR, TFS)	3.0 DiTD (TFR85_)	120	01/07 06/12
D-MAX I (TFR, TFS)	3.0 DiTD 4x4 (TFS85_)	120	01/07 06/12
D-MAX I (TFR, TFS)	3.0 DiTD 4x4 (TFS85_)	96	05/02 06/12
D-MAX I Platform/Chassis (TFR, TFS)	3.0 D 4x4	120	01/07 06/12
D-MAX II (TFR, TFS)	2.5 CRDi (TFR86J)	120	06/12 -

OE Part number**Compatible OE codes**

ISUZU	8973606770
-------	------------

ISUZU	8973606780
-------	------------

ISUZU	8980062590
-------	------------
