



BRAKE DISC PAINTED

09.B280.41

The **09.B280.41** painted brake disc is synonymous with reliability

The Brembo brake disc with special UV paint treatment guarantees superior corrosion resistance for the product, thanks to the protective coating on the outer edges and on the disc hub. The UV paint not only gives the disc a clean, shiny appearance but is also beneficial for the environment as the water-based UV paint treatment does not require the use of chemical solvents and is a low energy consumption process.

- ✓ OE-equivalent
- ✓ Brembo quality
- ✓ ECE-R90 certificate
- ✓ Safety
- ✓ High carbon
- ✓ Anti-corrosion
- ✓ Fastening screws

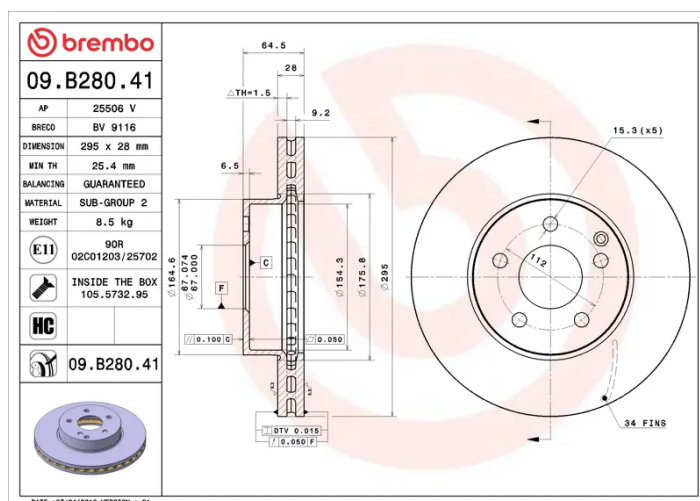


Technical specifications



EAN code 8020584219843	Axle Front	Diameter Ø 295 mm
Thickness (TH) 28 mm	Height (A) 65 mm	Number of holes (C) 5
Brake disc type Ventilated	Centering (B) 67 mm	Min. thickness 25,4 mm

Tightening torque
130 Nm



COMPATIBLE VEHICLES

COMPATIBLE OE PART NUMBERS

2044210712	MERCEDES-BENZ
2044211612	MERCEDES-BENZ
2044212412	MERCEDES-BENZ
2044212512	MERCEDES-BENZ
2124211212	MERCEDES-BENZ
2124211312	MERCEDES-BENZ
A2044210712	MERCEDES-BENZ
A2044211612	MERCEDES-BENZ
A2044212412	MERCEDES-BENZ
A2044212512	MERCEDES-BENZ
A2124211212	MERCEDES-BENZ
A2124211312	MERCEDES-BENZ
A2044210712	MERCEDES-BENZ (BBDC)
A2044212512	MERCEDES-BENZ (BBDC)
A2124211312	MERCEDES-BENZ (BBDC)