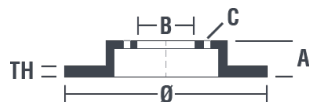


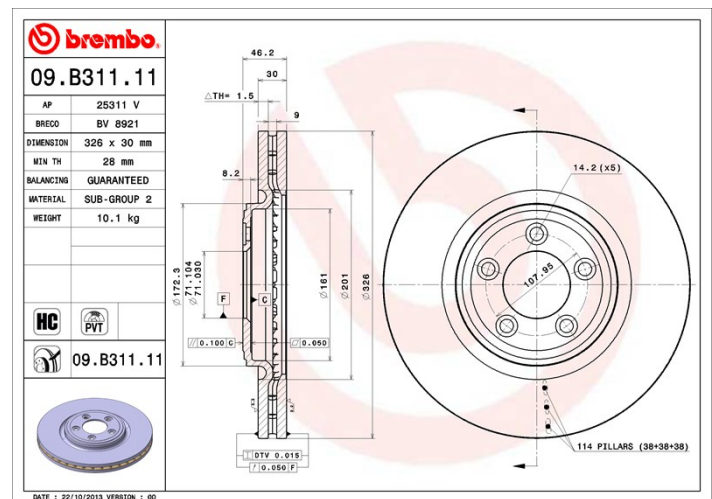
## Disc technical data

<b>Axle</b> Front	<b>Diameter</b> 326 mm
<b>Overall height (A)</b> 46,2 mm	<b>Centring diameter (B)</b> 71 mm
<b>Number of holes (C)</b> 5	<b>Thickness (TH)</b> 30 mm
<b>Minimum thickness</b> 28 mm	<b>Tightening torque</b>
<b>Unit per box</b> 1	<b>EANCode</b> 8020584038208



## Brand part numbers

<b>Brembo</b> 09.B311.11	<b>AP</b> 25311 V	<b>Breco</b> BV 8921
-----------------------------	----------------------	-------------------------



## Technical specifications

### PVT vented disc

The PVT disc uses, in its ventilation chamber, pillars instead of vanes. Disc cooling capacity is enhanced by an extra 40% and therefore provides more resistance against thermal cracking.



### High Carbon disc (HC)

Thanks to the high percentage of carbon in the chemical composition of the cast iron, the HC disc provides greater damping coefficient, able to reduce vibration and noise while driving.



### UV Disc

The UV coating process provides a superior corrosion resistance and full disc protection.



## Compatible vehicles

### JAGUAR

Model	Type	Kw	Year
XF (X250)	2.0	177	06/12 04/15
XF (X250)	2.2 D	147	03/12 04/15
XF (X250)	2.2 D	120	04/11 04/15

XF (X250)	2.2 D	140	05/11 04/15
XF (X250)	2.7 D	152	03/08 04/15
XF (X250)	3.0	175	03/08 04/15
XF (X250)	3.0	179	03/08 04/15
XF (X250)	3.0 D	155	03/09 04/15
XF (X250)	3.0 D	177	03/09 04/15
XF (X250)	3.0 D	202	03/09 04/15
XF (X250)	4.2	219	03/08 04/15
XF SPORTBRAKE (X250)	2.0 T	177	08/13 12/15
XF SPORTBRAKE (X250)	2.2 D	120	09/12 04/14
XF SPORTBRAKE (X250)	2.2 D	147	09/12 04/14
XF SPORTBRAKE (X250)	3.0 D	177	09/12 04/14
XF SPORTBRAKE (X250)	3.0 D	202	09/12 04/14
XJ (X350)	3.0	179	04/04 01/07
XJ (X350)	3.0	175	05/03 03/09
XJ (X350)	3.6	190	05/03 03/09
XJ (X350)	4.2	219	05/03 03/09
XJ (X350)	D 2.7	152	10/05 03/09
XK Convertible (X150)	3.6	190	10/07 07/14
XK Convertible (X150)	4.2 XK8	219	03/06 07/14
XK Coupe (X150)	3.6	190	07/07 07/14
XK Coupe (X150)	4.2 XK8	219	03/06 07/14

## OE Part number

### Compatible OE codes

JAGUAR

C2C25336