

Disc 09.B386.33



Disc technical data

Axle Front

Diameter
390 mm

Overall height (A)
48,5 mm

Centring diameter (B)
68 mm

Number of holes (C)
5

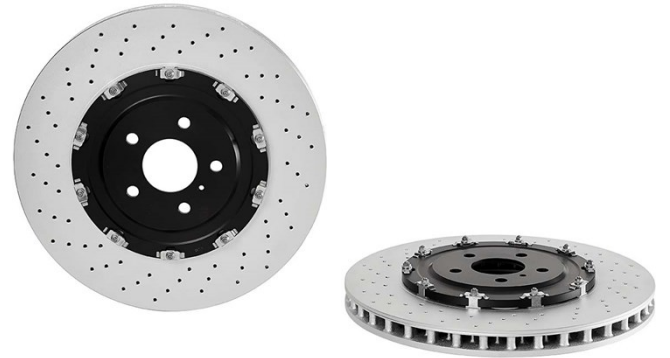
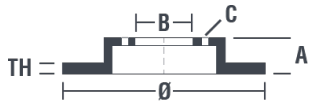
Thickness (TH)
32,6 mm

Minimum thickness
30,6 mm

Tightening torque
Nm

Unit per box
1

EANCode
8020584231852

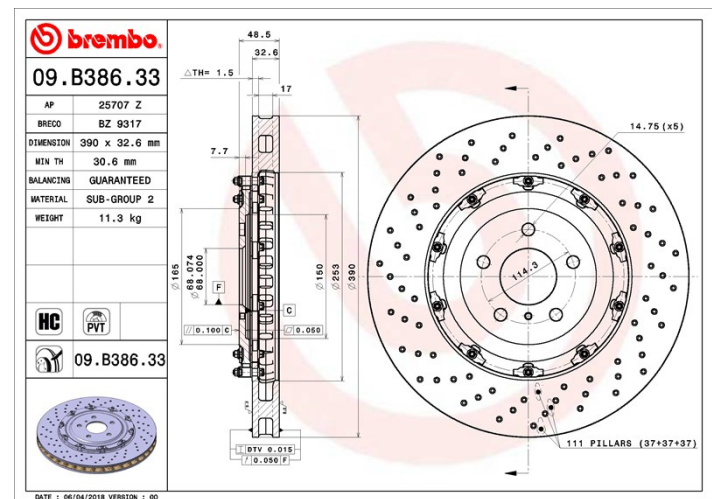


Brand part numbers

Brembo
09.B386.33

AP
25707 Z

Breco
BZ 9317



Technical specifications

PVT vented disc

The PVT disc uses, in its ventilation chamber, pillars instead of vanes. Disc cooling capacity is enhanced by an extra 40% and therefore provides more resistance against thermal cracking.



High Carbon disc (HC)

Thanks to the high percentage of carbon in the chemical composition of the cast iron, the HC disc provides greater damping coefficient, able to reduce vibration and noise while driving.



UV Disc

The UV coating process provides a superior corrosion resistance and full disc protection.



Compatible vehicles

NISSAN

Model	Type	Kw	Year
GT-R (R35)	NISMO	441	07/14 -

OE Part number

Compatible OE codes

