

Disc technical data

Axle Rear

Diameter
315 mm

Overall height (A)
78,5 mm

Centring diameter (B)
93,3 mm

Number of holes (C)
5

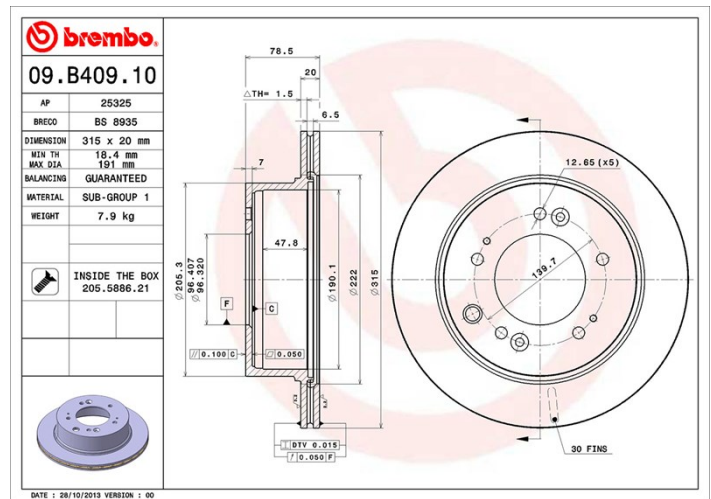
Thickness (TH)
20 mm

Minimum thickness
18,4 mm

Tightening torque
Nm

Unit per box
2

EANCode
8020584039946



Brand part numbers

Brembo
09.B409.10

AP
25325

Breco
BS 8935

Technical specifications

Disc with fixing screw

By supplying the fixing screw in the disc box, Brembo provides extra help to the mechanic if the original screw is rusty or worn to such an extent as to prevent or make it difficult to reuse.



Compatible vehicles

KIA

Model	Type	Kw	Year
SORENTO I (JC)	2.5 CRDi	120	05/06 -
SORENTO I (JC)	2.5 CRDi	103	08/02 -
SORENTO I (JC)	2.5 CRDi	125	12/06 -
SORENTO I (JC)	3.3 V6	177	12/06 -
SORENTO I (JC)	3.3 V6 4WD	182	02/07 -

OE Part number

Compatible OE codes

