

Disc 09.B463.10

Disc technical data

Diameter (Diameter)
269 mm

Overall height (A)
44 mm

Centring diameter (B)
68 mm

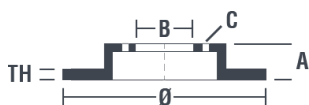
Number of holes (C)
5

Thickness (TH)
22,5 mm

Minimum thickness
19,8 mm

Tightening torque
120 Nm

Unit per box
2

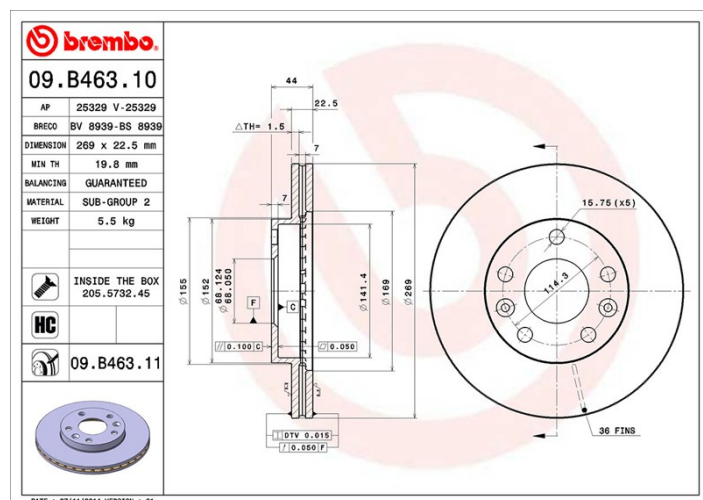


Brand part numbers

Brembo
09.B463.10

AP
25329

Breco
BS 8939



Technical specifications

High Carbon disc (HC)

Thanks to the high percentage of carbon in the chemical composition of the cast iron, the HC disc provides greater damping coefficient, able to reduce vibration and noise while driving.

HC

Disc with fixing screw

By supplying the fixing screw in the disc box, Brembo provides extra help to the mechanic if the original screw is rusty or worn to such an extent as to prevent or make it difficult to reuse.



Compatible vehicles

DACIA

Model	Type	Kw	Year
DUSTER	1.5 dCi	63	04/10 -
DUSTER	1.5 dCi	79	06/10 -
DUSTER	1.5 dCi	80	08/13 -
DUSTER	1.5 dCi	66	10/10 -
DUSTER	1.5 dCi 4x4	79	06/10 -
DUSTER	1.5 dCi 4x4	80	08/13 -

DUSTER	1.5 dCi 4x4	66	10/10 -
DUSTER	1.5 dCi 4x4	81	10/10 -
DUSTER	1.6 16V	77	04/10 -
DUSTER	1.6 16V 4x4	77	06/10 -
DUSTER	1.6 16V Hi-Flex	77	08/10 -
DUSTER	1.6 16V LPG	77	04/11 -
DUSTER	1.6 SCe 115 (HMM1)	84	10/17 -
DUSTER Box	1.5 dCi	66	04/11 -
DUSTER Box	1.5 dCi	80	04/13 -
DUSTER Box	1.6 16V 4x4	77	04/11 -
DUSTER Box	1.6 16V Hi-Flex	77	04/11 -
DUSTER Box	1.6 SCe 115	84	06/15 -

NISSAN

Model	Type	Kw	Year
TERRANO (D10)	1.6	75	03/14 -

RENAULT

Model	Type	Kw	Year
DUSTER (HS_)	1.5 dCi	66	06/11 -
DUSTER (HS_)	1.6 16V (HSAT)	75	02/12 -
DUSTER (HS_)	2.0	98	02/12 -
MEGANE IV Grandtour (K9A/M/N_)	1.6 16V	84	04/16 -
MEGANE IV Hatchback (B9A/M/N_)	1.2 TCe 100 (B9MS)	74	11/15 -
MEGANE IV Hatchback (B9A/M/N_)	1.6 16V	84	11/15 -
MEGANE IV Saloon	1.2 Tce 130	97	10/16 -
MEGANE IV Saloon	1.5 dCi 110	81	10/16 -
MEGANE IV Saloon	1.5 dCi 90	66	10/16 -
MEGANE IV Saloon	1.6 SCe	84	10/16 -

OE Part number

Compatible OE codes

DACIA	402066300R
NISSAN	4020600Q0M
NISSAN	4020600Q1A
NISSAN	402066300R

RENAULT

402061715R

RENAULT

402066300R
