

Disc technical data

Axle Front

Diameter
320 mm

Overall height (A)
38 mm

Centring diameter (B)
68 mm

Number of holes (C)
6

Thickness (TH)
28 mm

Minimum thickness
26 mm

Tightening torque Nm

Unit per box
1

EANCode
8020584036341

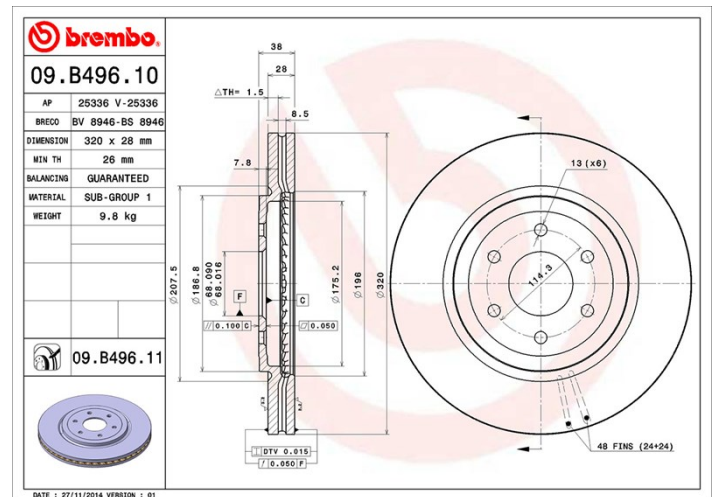


Brand part numbers

Brembo
09.B496.10

AP
25336

Breco
BS 8946



Technical specifications

Compatible vehicles

NISSAN

Model	Type	Kw	Year
NP300 NAVARA (D40)	2.5 dCi	106	07/05 -
NP300 NAVARA (D40)	2.5 dCi	120	10/06 -
NP300 NAVARA (D40)	2.5 dCi	128	12/05 -
NP300 NAVARA (D40)	2.5 dCi 4WD	106	01/07 -
NP300 NAVARA (D40)	2.5 dCi 4WD	128	07/05 -
NP300 NAVARA (D40)	2.5 dCi 4WD	126	10/06 -
NP300 NAVARA (D40)	2.5 dCi 4WD (D40TT, D40T, D40M, D40BB)	140	12/09 -
NP300 NAVARA (D40)	3.0 dCi 4WD	170	02/10 -
NP300 NAVARA Platform/Chassis (D40)	2.5 dCi	98	09/13 -

NP300 NAVARA Platform/Chassis (D40)	2.5 dCi	140	03/10 -
NP300 NAVARA Platform/Chassis (D40)	2.5 dCi 4WD	106	08/08 -
NP300 NAVARA Platform/Chassis (D40)	2.5 dCi 4WD	126	08/08 -
NP300 NAVARA Platform/Chassis (D40)	3.0 dCi	170	03/10 -
PATHFINDER III (R51)	2.5 dCi	128	01/05 -
PATHFINDER III (R51)	2.5 dCi 4WD	120	01/05 -
PATHFINDER III (R51)	2.5 dCi 4WD	128	03/05 -
PATHFINDER III (R51)	2.5 dCi 4WD	140	08/10 -
PATHFINDER III (R51)	2.5 dCi 4WD	126	10/06 -
PATHFINDER III (R51)	3.0 dCi	170	08/10 -
PATHFINDER III (R51)	4.0 4WD	198	09/05 -

OE Part number

Compatible OE codes

NISSAN	402063X00B
NISSAN	402065X00A
NISSAN	40206EB320