

Disc technical data

Axle Front

Diameter
302 mm

Overall height (A)
54 mm

Centring diameter (B)
96,3 mm

Number of holes (C)
5

Thickness (TH)
28 mm

Minimum thickness
26,4 mm

Tightening torque
110 Nm

Unit per box
1

EANCode
8020584213803

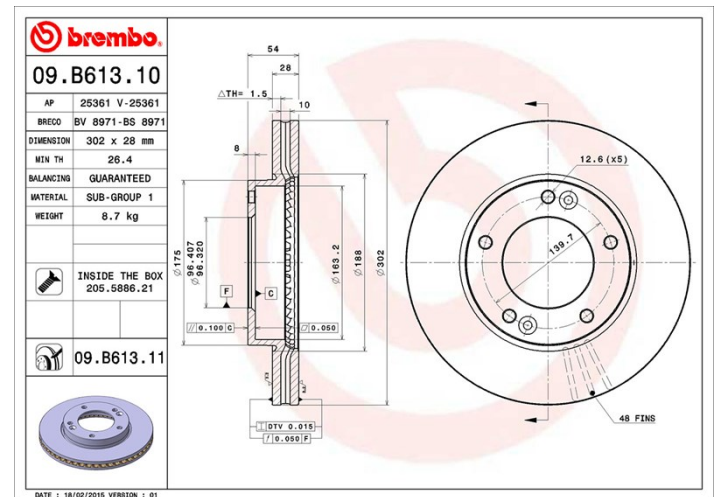


Brand part numbers

Brembo
09.B613.11

AP
25361 V

Breco
BV 8971



Technical specifications

Disc with fixing screw

By supplying the fixing screw in the disc box, Brembo provides extra help to the mechanic if the original screw is rusty or worn to such an extent as to prevent or make it difficult to reuse.



UV Disc

The UV coating process provides a superior corrosion resistance and full disc protection.



Compatible vehicles

KIA			
Model	Type	Kw	Year
SORENTO I (JC)	2.5 CRDi	120	05/06 -
SORENTO I (JC)	2.5 CRDi	103	08/02 -
SORENTO I (JC)	2.5 CRDi	125	12/06 -
SORENTO I (JC)	3.3 V6	177	12/06 -
SORENTO I (JC)	3.3 V6 4WD	182	02/07 -

OE Part number

Compatible OE codes

KIA

517123E500
