

Disc technical data

Axle Front

Diameter
289 mm

Overall height (A)
70 mm

Centring diameter (B)
98 mm

Number of holes (C)
6

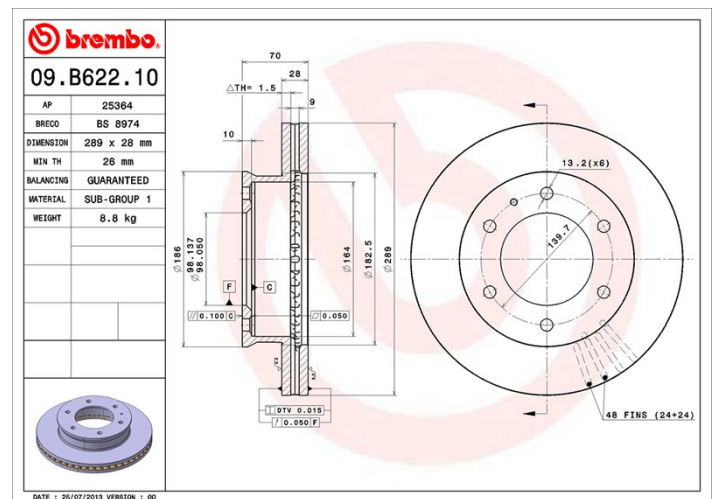
Thickness (TH)
28 mm

Minimum thickness
26 mm

Tightening torque
Nm

Unit per box
1

EANCode
8020584020982



Brand part numbers

Brembo
09.B622.10

AP
25364

Breco
BS 8974

Technical specifications

Compatible vehicles

FORD			
Model	Type	Kw	Year
RANGER (ET)	2.5 TDCi 4x4	105	05/06 07/12
RANGER (ET)	3.0 TDCi	115	05/06 07/12
RANGER (ET)	3.0 TDCi 4x4	115	05/06 07/12

FORD AUSTRALIA

Model	Type	Kw	Year
RANGER Pickup (PJ)	3.0 TD All-wheel Drive	115	11/06 03/09

MAZDA

Model	Type	Kw	Year
B-SERIE (UN)	2.5 D	62	12/02 11/06

B-SERIE (UN)	2.5 D 4WD	62	12/02 11/06
B-SERIE (UN)	2.5 TD 4WD	80	06/99 07/06
BT-50 Pickup (CD, UN)	2.5 MRZ-CD 4x4	105	12/06 12/15
BT-50 Pickup (CD, UN)	3.0 CDVi 4x4	115	10/06 12/15
BT-50 Platform/Chassis (CD, UN)	3.0 CDVi 4x4	115	12/06 -

OE Part number

Compatible OE codes

FORD	1490412
FORD	6M341027DA
MAZDA	BT5033251
MAZDA	UM5133251
MAZDA	UR6133251