

Disc 09.B625.10



Disc technical data

Axle Front

Diameter
296 mm

Overall height (A)
53 mm

Centring diameter (B)
68 mm

Number of holes (C)
6

Thickness (TH)
28 mm

Minimum thickness
26 mm

Tightening torque Nm

Unit per box
2

EANCode
8020584039083

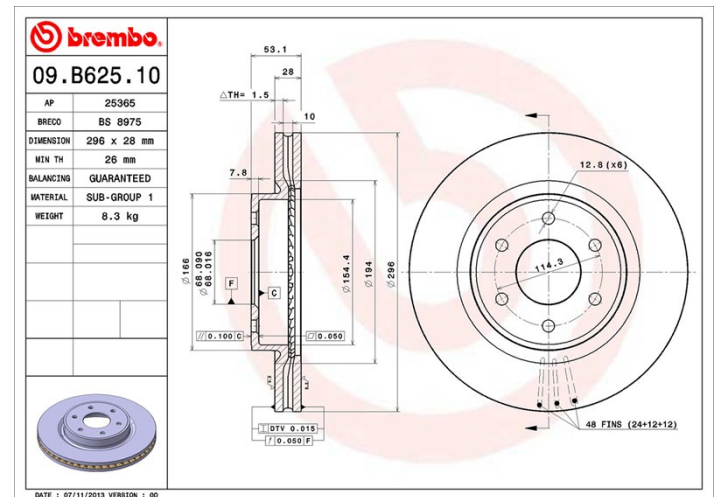


Brand part numbers

Brembo
09.B625.10

AP
25365

Breco
BS 8975



Technical specifications

Compatible vehicles

NISSAN

Model	Type	Kw	Year
NP300 NAVARA (D40)	2.5 dCi	106	07/05 -
NP300 NAVARA (D40)	2.5 dCi 4WD	106	01/07 -
NP300 NAVARA (D40)	2.5 dCi 4WD	128	07/05 -
NP300 NAVARA (D40)	2.5 dCi 4WD	126	10/06 -

OE Part number

Compatible OE codes

NISSAN	40206JR70B
NISSAN	40206JR70C
NISSAN	40206JR70D