

# Disc 09.B628.10

## Disc technical data

**Axle** Front

**Diameter**  
296 mm

**Overall height (A)**  
38 mm

**Centring diameter (B)**  
68 mm

**Number of holes (C)**  
6

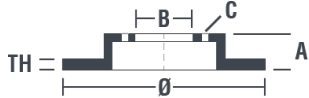
**Thickness (TH)**  
28 mm

**Minimum thickness**  
26 mm

**Tightening torque**   
Nm

**Unit per box**  
2

**EANCode**  
8020584039991

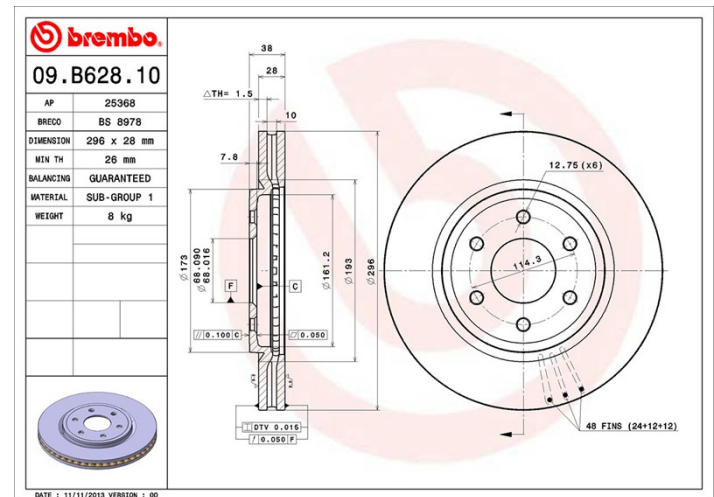


## Brand part numbers

**Brembo**  
09.B628.10

**AP**  
25368

**Breco**  
BS 8978



## Technical specifications

## Compatible vehicles

### NISSAN

Model	Type	Kw	Year
NP300 NAVARA (D40)	2.5 dCi	106	07/05 -
NP300 NAVARA (D40)	2.5 dCi	120	10/06 -
NP300 NAVARA (D40)	2.5 dCi	128	12/05 -
NP300 NAVARA (D40)	2.5 dCi 4WD	106	01/07 -
NP300 NAVARA (D40)	2.5 dCi 4WD	128	07/05 -
NP300 NAVARA (D40)	2.5 dCi 4WD	126	10/06 -
NP300 NAVARA (D40)	2.5 dCi 4WD (D40TT, D40T, D40M, D40BB)	140	12/09 -
NP300 NAVARA Platform/Chassis (D40)	2.5 dCi	98	09/13 -
NP300 NAVARA Platform/Chassis (D40)	2.5 dCi	140	03/10 -

NP300 NAVARA Platform/Chassis (D40)	2.5 dCi 4WD	106	08/08 -
NP300 NAVARA Platform/Chassis (D40)	2.5 dCi 4WD	126	08/08 -
PATHFINDER III (R51)	2.5 dCi	128	01/05 -
PATHFINDER III (R51)	2.5 dCi 4WD	120	01/05 -
PATHFINDER III (R51)	2.5 dCi 4WD	128	03/05 -
PATHFINDER III (R51)	2.5 dCi 4WD	140	08/10 -
PATHFINDER III (R51)	2.5 dCi 4WD	126	10/06 -

## OE Part number

### Compatible OE codes

NISSAN	40206EB300
--------	------------