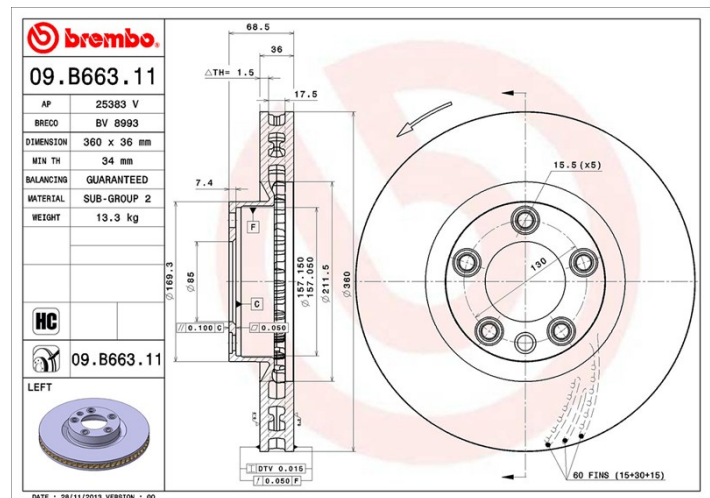
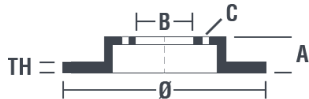


## Disc technical data

<b>Axle</b> Front	<b>Diameter</b> (Diameter) 360 mm
<b>Overall height</b> (A) 68,5 mm	<b>Centring diameter</b> (B) 85 mm
<b>Number of holes</b> (C) 5	<b>Thickness</b> (TH) 36 mm
<b>Minimum thickness</b> 34 mm	<b>Tightening torque</b> 160 Nm
<b>Unit per box</b> 1	<b>EANCode</b> -



## Brand part numbers

<b>Brembo</b> 09.B663.11	<b>AP</b> 25383 V	<b>Breco</b> BV 8993
-----------------------------	----------------------	-------------------------

## Technical specifications

### High Carbon disc (HC)

Thanks to the high percentage of carbon in the chemical composition of the cast iron, the HC disc provides greater damping coefficient, able to reduce vibration and noise while driving.



### UV Disc

The UV coating process provides a superior corrosion resistance and full disc protection.



## Compatible vehicles

### VW

Model	Type	Kw	Year
TOUAREG (7P5, 7P6)	3.0 V6 TDI	150	01/10 03/18
TOUAREG (7P5, 7P6)	3.0 V6 TDI	176	01/10 03/18
TOUAREG (7P5, 7P6)	3.0 V6 TDI	180	05/11 03/18
TOUAREG (7P5, 7P6)	3.0 V6 TDI	165	06/10 03/18
TOUAREG (7P5, 7P6)	3.0 V6 TDI	193	09/14 03/18
TOUAREG (7P5, 7P6)	3.0 V6 TSI	235	01/15 03/18
TOUAREG (7P5, 7P6)	3.0 V6 TSI	213	08/10 03/18
TOUAREG (7P5, 7P6)	3.0 V6 TSI Hybrid	245	04/10 03/18

TOUAREG (7P5, 7P6)	3.6 V6 FSI	206	04/10 03/18
TOUAREG (7P5, 7P6)	3.6 V6 FSI	183	08/10 03/18
TOUAREG (7P5, 7P6)	4.2 V8 FSI	265	01/11 03/18
TOUAREG (7P5, 7P6)	4.2 V8 TDI	250	01/10 03/18

## OE Part number

### Compatible OE codes

VW	7P6615301
----	-----------