



BRAKE DISC

09.B822.10

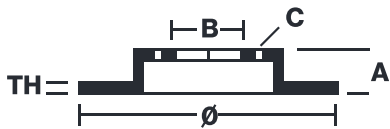
The **09.B822.10** brake disc is synonymous with reliability

The Brembo brake disc is fully interchangeable with an Original Equipment brake disc. The control of the entire production cycle allows Brembo to offer brake discs with outstanding performance levels, reliability, durability and comfort in all conditions of use. All Brembo brake discs are accompanied by the ECE-R90 homologation.

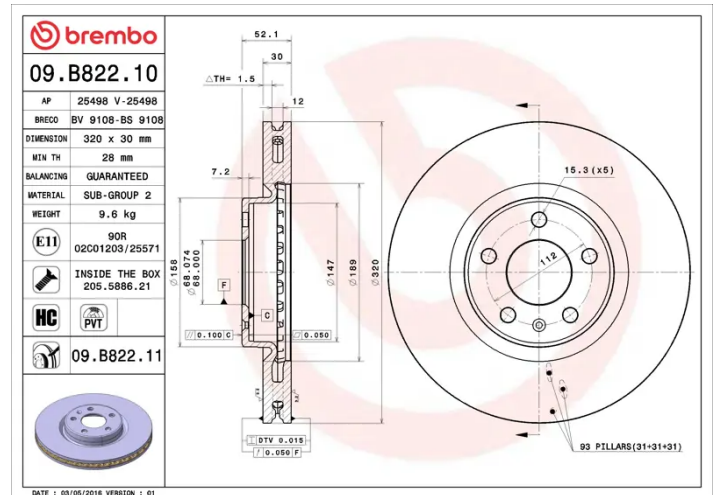
- ✓ OE-equivalent
- ✓ Brembo quality
- ✓ ECE-R90 certificate
- ✓ Safety
- ✓ High carbon
- ✓ PVT ventilation
- ✓ Fastening screws



Technical specifications



EAN code 8020584213674	Axle Front	Diameter Ø 320 mm
Thickness (TH) 30 mm	Height (A) 52 mm	Number of holes (C) 5
Brake disc type Ventilated	Centering (B) 68 mm	Min. thickness 28 mm



COMPATIBLE VEHICLES

COMPATIBLE OE PART NUMBERS

8R0615301B	AUDI
------------	------

8R0615301C	AUDI
------------	------

8R0615301E	AUDI
------------	------

8R0615301G	AUDI
------------	------
