

Disc 09.C393.13

brembo
AFTERMARKET

Disc technical data

Axle Front

Diameter
348 mm

Overall height (A)
77 mm

Centring diameter (B)
79 mm

Number of holes (C)
5

Thickness (TH)
36 mm

Minimum thickness
34,4 mm

Tightening torque 
Nm

Unit per box
1

EANCode
8020584224403



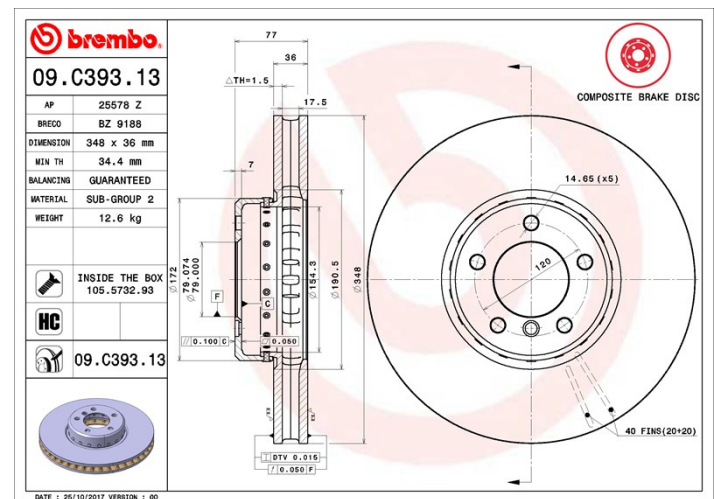
brembo

Brand part numbers

Brembo
09.C393.13

AP
25578 Z

Breco
BZ 9188



Technical specifications

High Carbon disc (HC)

Thanks to the high percentage of carbon in the chemical composition of the cast iron, the HC disc provides greater damping coefficient, able to reduce vibration and noise while driving.

HC

Disc with fixing screw

By supplying the fixing screw in the disc box, Brembo provides extra help to the mechanic if the original screw is rusty or worn to such an extent as to prevent or make it difficult to reuse.



UV Disc

The UV coating process provides a superior corrosion resistance and full disc protection.



Compatible vehicles

BMW

Model	Type	Kw	Year
5 (E60)	535 d	210	01/07 03/10
5 (E60)	535 d	200	09/04 03/10
5 (E60)	550 i	270	09/05 12/09

5 Touring (E61)	535 d	210	01/07 12/10
5 Touring (E61)	535 d	200	09/04 12/10
5 Touring (E61)	550 i	270	07/05 12/10
6 (E63)	635 d	210	07/07 07/10
6 (E63)	650 i	270	09/05 08/10
6 Convertible (E64)	635 d	210	07/07 07/10
6 Convertible (E64)	650 i	270	09/05 08/10

OE Part number

Compatible OE codes

BMW	34116766871
BMW	34116779467