
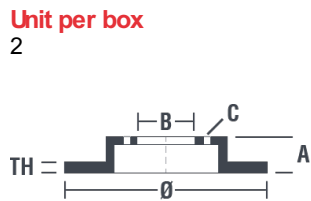





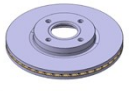
Disc technical data

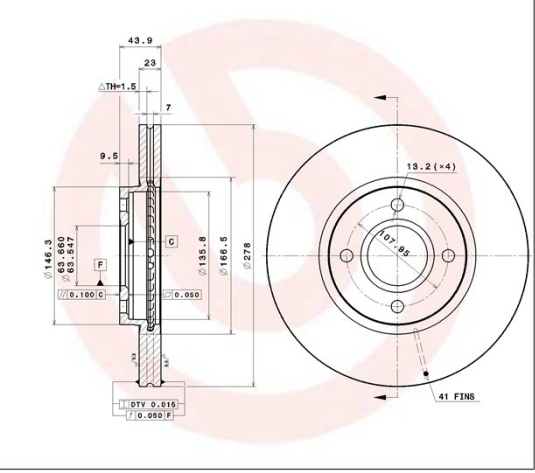
Axle Front	Diameter 278 mm
Overall height (A) 43,9 mm	Centring diameter (B) 63,5 mm
Number of holes (C) 4	Thickness (TH) 23 mm
Minimum thickness 21 mm	Tightening torque  Nm
Unit per box 2	EANCode 8020584221068



Brand part numbers

Brembo 09.C422.11	AP 25535 V	Breco BV 9145
-----------------------------	----------------------	-------------------------

	
09.C422.10	
AP	25535 V-25535
BRECO	BV 9145-BS 9145
DIMENSION	278 x 23 mm
MIN TH	21 mm
BALANCING	GUARANTEED
MATERIAL	SUB-GROUP 1
WEIGHT	6.7 kg
	90R 02001202/25637
	09.C422.11
	
DATE :21/04/2016 VERSION : 01	



Technical specifications

UV Disc

The UV coating process provides a superior corrosion resistance and full disc protection.



Compatible vehicles

FORD

Model	Type	Kw	Year
B-MAX (JK)	1.0 EcoBoost	103	02/16 -
B-MAX (JK)	1.0 EcoBoost	74	10/12 -
B-MAX (JK)	1.0 EcoBoost	88	10/12 -
B-MAX (JK)	1.0 EcoBoost	92	10/12 -
B-MAX (JK)	1.4	66	10/12 -
B-MAX (JK)	1.4 LPG	64	08/13 -
B-MAX (JK)	1.4 LPG	66	08/13 -

B-MAX (JK)	1.5 TDCi	70	04/15 -
B-MAX (JK)	1.5 TDCi	55	10/12 -
B-MAX (JK)	1.6 TDCi	70	10/12 -
B-MAX (JK)	1.6 Ti	77	10/12 -
B-MAX Van (JK)	1.0 EcoBoost	74	10/12 -
B-MAX Van (JK)	1.0 EcoBoost	92	10/12 -
B-MAX Van (JK)	1.4	66	10/12 -
B-MAX Van (JK)	1.5 TDCi	70	04/15 -
B-MAX Van (JK)	1.5 TDCi	55	10/12 -
B-MAX Van (JK)	1.6 TDCi	70	10/12 -
B-MAX Van (JK)	1.6 Ti	77	10/12 -
FIESTA VI (CB1, CCN)	1.0	48	01/13 -
FIESTA VI (CB1, CCN)	1.0	59	10/12 -
FIESTA VI (CB1, CCN)	1.0 EcoBoost	74	01/13 -
FIESTA VI (CB1, CCN)	1.0 EcoBoost	92	09/12 -
FIESTA VI (CB1, CCN)	1.0 Sport	103	05/14 -
FIESTA VI (CB1, CCN)	1.25	44	06/08 -
FIESTA VI (CB1, CCN)	1.25	60	06/08 -
FIESTA VI (CB1, CCN)	1.4	71	06/08 -
FIESTA VI (CB1, CCN)	1.4 LPG	68	01/09 -
FIESTA VI (CB1, CCN)	1.4 LPG	71	01/09 -
FIESTA VI (CB1, CCN)	1.4 TDCi	50	01/09 -
FIESTA VI (CB1, CCN)	1.4 TDCi	51	07/10 -
FIESTA VI (CB1, CCN)	1.5 TDCi	70	05/15 -
FIESTA VI (CB1, CCN)	1.5 TDCi	55	09/12 -
FIESTA VI (CB1, CCN)	1.6 ST	134	03/13 -
FIESTA VI (CB1, CCN)	1.6 TDCi	70	02/10 -
FIESTA VI (CB1, CCN)	1.6 TDCi	55	06/08 -
FIESTA VI (CB1, CCN)	1.6 TDCi	66	06/08 -
FIESTA VI (CB1, CCN)	1.6 Ti	88	06/08 -
FIESTA VI (CB1, CCN)	1.6 Ti	77	09/12 -

FIESTA VI (CB1, CCN)	1.6 Ti	99	12/10 -
FIESTA VI Van	1.0	48	01/13 -
FIESTA VI Van	1.0	59	10/12 -
FIESTA VI Van	1.0 EcoBoost	74	01/13 -
FIESTA VI Van	1.0 EcoBoost	103	05/14 -
FIESTA VI Van	1.0 EcoBoost	92	09/12 -
FIESTA VI Van	1.5 TDCi	70	05/15 -
FIESTA VI Van	1.5 TDCi	55	10/12 -
FIESTA VI Van	1.6 ST	134	03/13 -
TOURNEO COURIER Kombi	1.0 EcoBoost	74	02/14 -
TOURNEO COURIER Kombi	1.5 TDCi	55	02/14 -
TOURNEO COURIER Kombi	1.5 TDCi	70	05/15 -
TOURNEO COURIER Kombi	1.6 TDCi	70	02/14 -
TRANSIT COURIER Box	1.0 EcoBoost	74	02/14 -
TRANSIT COURIER Box	1.5 TDCi	55	02/14 -
TRANSIT COURIER Box	1.5 TDCi	70	05/15 -
TRANSIT COURIER Box	1.6 TDCi	70	02/14 -
TRANSIT COURIER Kombi	1.0 EcoBoost	74	02/14 -
TRANSIT COURIER Kombi	1.5 TDCi	55	02/14 -
TRANSIT COURIER Kombi	1.5 TDCi	70	05/15 -
TRANSIT COURIER Kombi	1.6 TDCi	70	02/14 -
FORD AUSTRALIA			
Model	Type	Kw	Year
FIESTA Hatchback (WS)	1.4 i	71	10/09 12/10
FIESTA Hatchback (WS)	1.6 i	88	10/08 12/10
FIESTA Hatchback (WS)	1.6 TDCi	66	01/09 12/10
FIESTA Hatchback (WT)	1.6	134	01/16 -
FIESTA Hatchback (WT)	1.6 i	89	10/10 12/12
FIESTA Hatchback (WT)	1.6 TD	66	10/10 12/12
FIESTA Hatchback (WZ)	1.0 EcoBoost	92	09/13 -
FIESTA Hatchback (WZ)	1.5	82	05/13 -
FIESTA Hatchback (WZ)	1.6 ST	134	09/13 -

FIESTA Saloon (WT)	1.6 i	89	10/10 12/12
--------------------	-------	----	-------------

FIESTA Saloon (WT)	1.6 TD	66	10/10 12/12
--------------------	--------	----	-------------

OE Part number

Compatible OE codes

FORD	1751584
------	---------

FORD	1833857
------	---------

FORD	1833867
------	---------

FORD	AY111125AA
------	------------

FORD	EY161125AA
------	------------

FORD	EY161125BA
------	------------