

Disc 09.C427.11

Disc technical data

Axle Front

Diameter
345 mm

Overall height (A)
62,1 mm

Centring diameter (B)
68 mm

Number of holes (C)
5

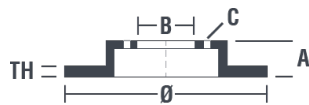
Thickness (TH)
30 mm

Minimum thickness
28 mm

Tightening torque
Nm

Unit per box
1

EANCode
8020584223833

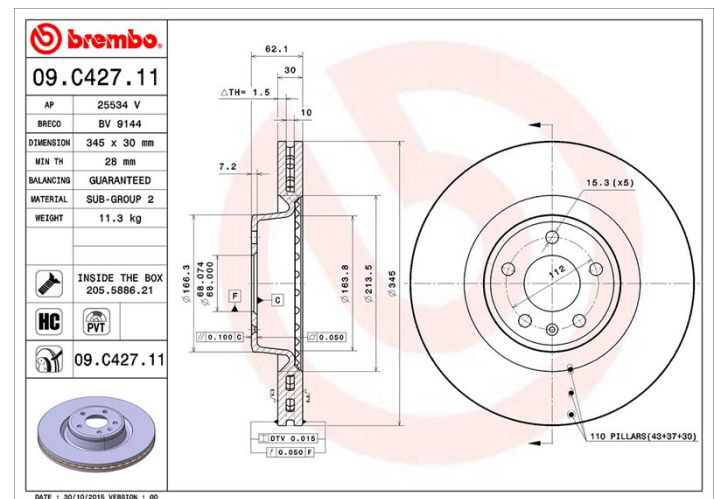


Brand part numbers

Brembo
09.C427.11

AP
25534 V

Breco
BV 9144



Technical specifications

PVT vented disc

The PVT disc uses, in its ventilation chamber, pillars instead of vanes. Disc cooling capacity is enhanced by an extra 40% and therefore provides more resistance against thermal cracking.



High Carbon disc (HC)

Thanks to the high percentage of carbon in the chemical composition of the cast iron, the HC disc provides greater damping coefficient, able to reduce vibration and noise while driving.



Disc with fixing screw

By supplying the fixing screw in the disc box, Brembo provides extra help to the mechanic if the original screw is rusty or worn to such an extent as to prevent or make it difficult to reuse.



UV Disc

The UV coating process provides a superior corrosion resistance and full disc protection.



Compatible vehicles

AUDI

Model	Type	Kw	Year
A6 (4G2, 4GC, C7)	2.0 TFSI quattro	183	05/15 09/18

A6 Allroad (4GH, 4GJ, C7)	3.0 TDI quattro	180	01/12 06/16
A6 Allroad (4GH, 4GJ, C7)	3.0 TDI quattro	235	01/12 09/18
A6 Allroad (4GH, 4GJ, C7)	3.0 TDI quattro	150	01/12 12/14
A6 Allroad (4GH, 4GJ, C7)	3.0 TDI quattro	230	01/12 12/14
A6 Allroad (4GH, 4GJ, C7)	3.0 TDI quattro	155	09/14 09/18
A6 Allroad (4GH, 4GJ, C7)	3.0 TDI quattro	160	09/14 09/18
A6 Allroad (4GH, 4GJ, C7)	3.0 TDI quattro	200	09/14 09/18
A6 Allroad (4GH, 4GJ, C7)	3.0 TDI quattro	140	11/15 09/18
A6 Allroad (4GH, 4GJ, C7)	3.0 TFSI quattro	228	01/12 12/14
A6 Allroad (4GH, 4GJ, C7)	3.0 TFSI quattro	245	09/14 09/18
A6 Avant (4G5, 4GD, C7)	2.0 TFSI quattro	183	05/15 09/18
A6 Avant (4G5, 4GD, C7)	2.0 TFSI quattro	185	05/15 09/18

OE Part number

Compatible OE codes

AUDI	4G0615301AB
AUDI	4G0615301B
AUDI	4G0615301N