

Disc technical data

Axle Rear

Diameter
290 mm

Overall height (A)
63,5 mm

Centring diameter (B)
58 mm

Number of holes (C)
5

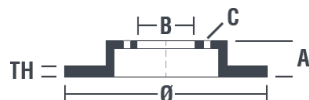
Thickness (TH)
18 mm

Minimum thickness
16 mm

Tightening torque
Nm

Unit per box
2

EANCode
8020584227343

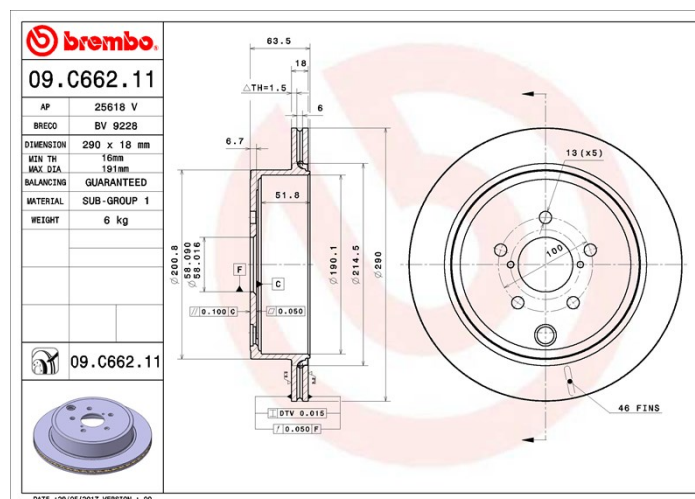


Brand part numbers

Brembo
09.C662.11

AP
25618 V

Breco
BV 9228



Technical specifications

UV Disc

The UV coating process provides a superior corrosion resistance and full disc protection.



Compatible vehicles

SUBARU

Model	Type	Kw	Year
BRZ	2.0	147	06/12 -
LEGACY V (BM)	2.5 GT AWD (BM9)	195	07/10 12/14
LEGACY V Estate (BR)	2.5 GT AWD (BR9)	195	07/10 12/14
OUTBACK (BR)	3.6 AWD	183	06/11 12/14

TOYOTA

Model	Type	Kw	Year
GT 86 Coupe (ZN6_)	2.0 (ZN6AC_, ZN6BC_)	147	03/12 -

OE Part number

Compatible OE codes

SUBARU	26700AJ010
--------	------------

TOYOTA	SU00300638
--------	------------