

## Disc technical data

**Axle** Front

**Diameter**  
334 mm

**Overall height (A)**  
50,7 mm

**Centring diameter (B)**  
62 mm

**Number of holes (C)**  
5

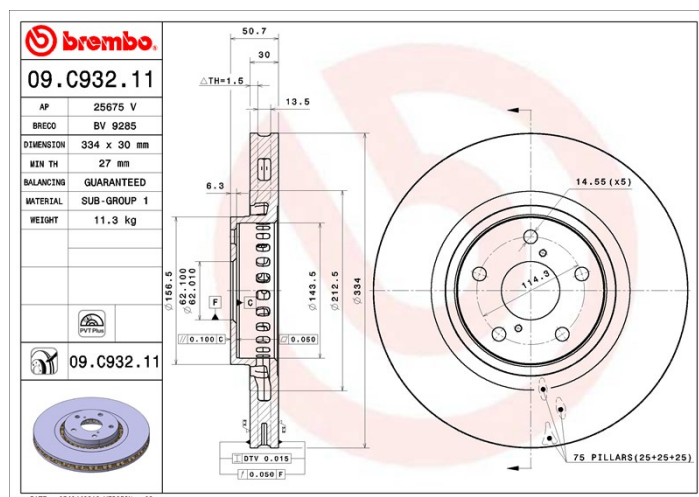
**Thickness (TH)**  
30 mm

**Minimum thickness**  
27 mm

**Tightening torque**   
Nm

**Unit per box**  
1

**EANCode**  
-



## Brand part numbers

**Brembo**  
09.C932.11

**AP**  
25675 V

**Breco**  
BV 9285

## Technical specifications

### PVT vented disc

The PVT disc uses, in its ventilation chamber, pillars instead of vanes. Disc cooling capacity is enhanced by an extra 40% and therefore provides more resistance against thermal cracking.



### UV Disc

The UV coating process provides a superior corrosion resistance and full disc protection.



## Compatible vehicles

### LEXUS

Model	Type	Kw	Year
GS (_L1_)	200t (ARL10_)	180	09/15 -
GS (_L1_)	250 (GRL11_)	154	01/12 -
GS (_S19_)	300 (GRS190_)	170	04/05 11/11
GS (_S19_)	300 (GRS190_)	183	04/05 11/11
GS (_S19_)	350 (GRS191_)	226	09/06 11/11
GS (_S19_)	430 (UZS190_)	208	04/05 11/11

GS (_S19_)	450h (GRS191_, GWS191_)	218	02/06 11/11
GS (_S19_)	450h (GRS191_, GWS191_)	254	02/06 11/11
GS (_S19_)	460 (LZS190_, URS190_)	255	09/07 11/11
IS III (_E3_)	200t (ASE30)	180	08/15 -
RC (_C1_)	300h (AVC10_)	133	09/14 -

## OE Part number

### Compatible OE codes

LEXUS	4351222260
LEXUS	4351622010