

Disc technical data

Axle Front

Diameter
366 mm

Overall height (A)
48 mm

Centring diameter (B)
63,6 mm

Number of holes (C)
5

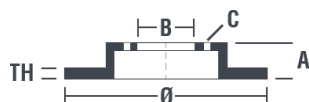
Thickness (TH)
30 mm

Minimum thickness
27,5 mm

Tightening torque
Nm

Unit per box
1

EANCode
8020584229569

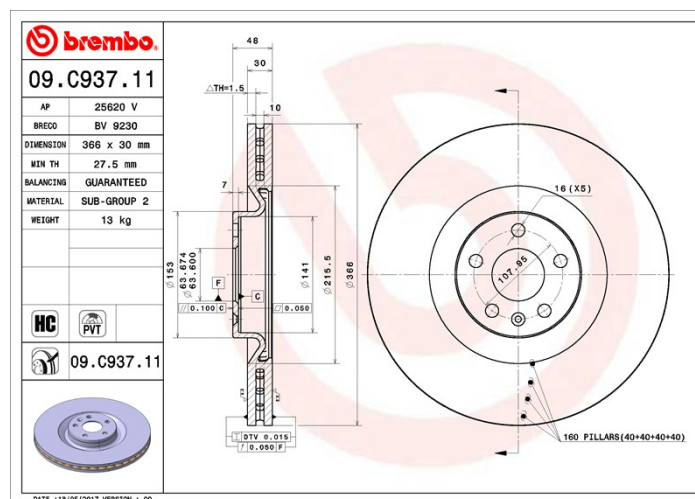


Brand part numbers

Brembo
09.C937.11

AP
25620 V

Breco
BV 9230



Technical specifications

PVT vented disc

The PVT disc uses, in its ventilation chamber, pillars instead of vanes. Disc cooling capacity is enhanced by an extra 40% and therefore provides more resistance against thermal cracking.



High Carbon disc (HC)

Thanks to the high percentage of carbon in the chemical composition of the cast iron, the HC disc provides greater damping coefficient, able to reduce vibration and noise while driving.



UV Disc

The UV coating process provides a superior corrosion resistance and full disc protection.



Compatible vehicles

VOLVO

Model	Type	Kw	Year
XC60 II (246)	2.0 D3	110	03/17 -
XC60 II (246)	2.0 D4	140	03/17 -
XC60 II (246)	2.0 D4 AWD	140	03/17 -

XC60 II (246)	2.0 D5 AWD	173	03/17 -
XC60 II (246)	2.0 T5	184	10/17 -
XC60 II (246)	2.0 T5	187	03/17 12/18
XC60 II (246)	2.0 T5 AWD	183	10/17 -
XC60 II (246)	2.0 T5 AWD	184	10/17 -
XC60 II (246)	2.0 T5 AWD	187	03/17 12/18
XC60 II (246)	2.0 T6 AWD	228	10/17 -
XC60 II (246)	2.0 T6 AWD	235	03/17 -
XC60 II (246)	2.0 T8 Hybrid AWD	223	02/18 -
XC60 II (246)	2.0 T8 Hybrid AWD	235	03/17 -
XC90 II (256)	2.0 T5 AWD	184	10/17 -
XC90 II (256)	2.0 T5 AWD	183	06/15 -
XC90 II (256)	2.0 T6 AWD	228	10/17 -
XC90 II (256)	2.0 T8 Hybrid AWD	223	04/18 -
XC90 II (256)	D4	140	06/15 -
XC90 II (256)	D4 AWD	140	06/15 -
XC90 II (256)	D5 AWD	173	03/16 -
XC90 II (256)	D5 AWD	165	09/14 -
XC90 II (256)	T5 AWD	187	06/15 -
XC90 II (256)	T6 AWD	235	09/14 -
XC90 II (256)	T8 Hybrid AWD	235	06/15 -

OE Part number

Compatible OE codes

VOLVO	31400569
-------	----------