

Disc technical data

Axle Front

Diameter
350 mm

Overall height (A)
48,2 mm

Centring diameter (B)
63,5 mm

Number of holes (C)
5

Thickness (TH)
32 mm

Minimum thickness
30 mm

Tightening torque
Nm

Unit per box
1

EANCode
8020584234624

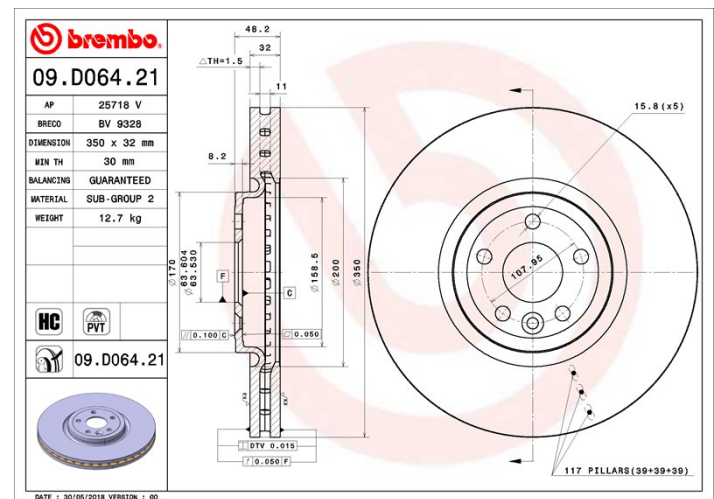


Brand part numbers

Brembo
09.D064.21

AP
25718 V

Breco
BV 9328



Technical specifications

PVT vented disc

The PVT disc uses, in its ventilation chamber, pillars instead of vanes. Disc cooling capacity is enhanced by an extra 40% and therefore provides more resistance against thermal cracking.



High Carbon disc (HC)

Thanks to the high percentage of carbon in the chemical composition of the cast iron, the HC disc provides greater damping coefficient, able to reduce vibration and noise while driving.



UV Disc

The UV coating process provides a superior corrosion resistance and full disc protection.



Compatible vehicles

JAGUAR

Model	Type	Kw	Year
F-PACE (X761)	2.0 SD4 AWD	177	02/17 -
F-PACE (X761)	2.0 TD4	120	02/17 -
F-PACE (X761)	2.0 TD4	132	09/15 -

F-PACE (X761)	2.0 TD4 AWD	132	09/15 -
F-PACE (X761)	2.0 Ti4 AWD	184	02/17 -
F-PACE (X761)	2.0 Ti4 AWD	221	06/17 -
F-PACE (X761)	3.0 SCV6 AWD	250	09/15 -
F-PACE (X761)	3.0 SCV6 AWD	280	09/15 -
F-PACE (X761)	3.0 SDV6 AWD	221	09/15 -
I-PACE (X590)	EV400 AWD	294	02/18 -

LAND ROVER

Model	Type	Kw	Year
RANGE ROVER VELAR (L560)	2.0 D180 TD4 4x4	132	03/17 -
RANGE ROVER VELAR (L560)	2.0 D240 SD4 4x4	177	03/17 -
RANGE ROVER VELAR (L560)	2.0 P250 Si4 4x4	184	03/17 -
RANGE ROVER VELAR (L560)	2.0 P300 Si4 4x4	221	03/17 -
RANGE ROVER VELAR (L560)	3.0 D300 SDV6 4x4	221	03/17 -
RANGE ROVER VELAR (L560)	3.0 P380 SCV6 4x4	280	03/17 -

OE Part number

Compatible OE codes

JAGUAR	T4A2343
JAGUAR	T4K5014
LAND ROVER	LR090685