

Disc 09.D229.11



Disc technical data

Axle Front

Diameter
320 mm

Overall height (A)
50,5 mm

Centring diameter (B)
67 mm

Number of holes (C)
5

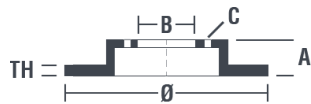
Thickness (TH)
30 mm

Minimum thickness
28 mm

Tightening torque
Nm

Unit per box
1

EANCode
8020584232347

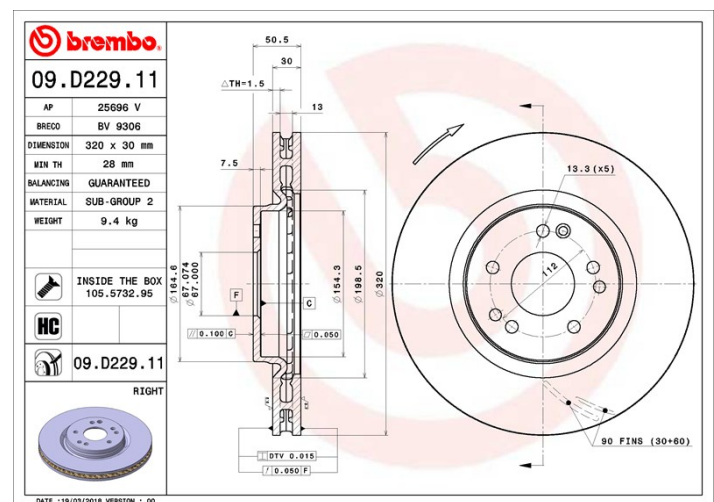


Brand part numbers

Brembo
09.D229.11

AP
25696 V

Breco
BV 9306



Technical specifications

High Carbon disc (HC)

Thanks to the high percentage of carbon in the chemical composition of the cast iron, the HC disc provides greater damping coefficient, able to reduce vibration and noise while driving.



Disc with fixing screw

By supplying the fixing screw in the disc box, Brembo provides extra help to the mechanic if the original screw is rusty or worn to such an extent as to prevent or make it difficult to reuse.



UV Disc

The UV coating process provides a superior corrosion resistance and full disc protection.



Compatible vehicles

MERCEDES-BENZ

Model	Type	Kw	Year
E-CLASS (W124)	E 36 AMG	200	07/94 01/95
E-CLASS (W124)	E 500 (124.036)	235	06/93 06/95
E-CLASS (W124)	E 60 AMG (124.036)	280	05/94 06/95
E-CLASS Coupe (C124)	E 36 AMG (124.052)	200	05/94 06/97

E-CLASS Coupe (C124)	E 36 AMG (124.052)	195	06/93 04/95
E-CLASS T-Model (S124)	E 36 T AMG (124.092)	200	05/94 06/96
SALOON (W124)	400 E 4.2 (124.034)	205	10/92 06/93
SALOON (W124)	500 E (124.036)	240	01/91 06/93
SL (R129)	280 (129.058)	142	08/93 10/01
SL (R129)	320 (129.063)	170	09/93 10/01
SL (R129)	500 (129.067)	235	09/92 10/01
SL (R129)	60 AMG (129.067)	280	05/97 10/01
SL (R129)	600 (129.076)	290	07/92 10/01
SL (R129)	SL 73 AMG (129.076)	386	01/99 12/01

OE Part number

Compatible OE codes

MERCEDES-BENZ	1294211612
MERCEDES-BENZ	1294211812
MERCEDES-BENZ	A1294211612
MERCEDES-BENZ	A1294211812