



# BRAKE DISC PAINTED

## 09.D421.11

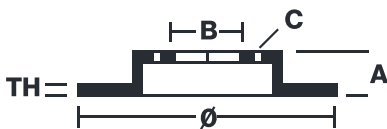
The 09.D421.11 painted brake disc is synonymous with reliability

The Brembo brake disc with special UV paint treatment guarantees superior corrosion resistance for the product, thanks to the protective coating on the outer edges and on the disc hub. The UV paint not only gives the disc a clean, shiny appearance but is also beneficial for the environment as the water-based UV paint treatment does not require the use of chemical solvents and is a low energy consumption process.

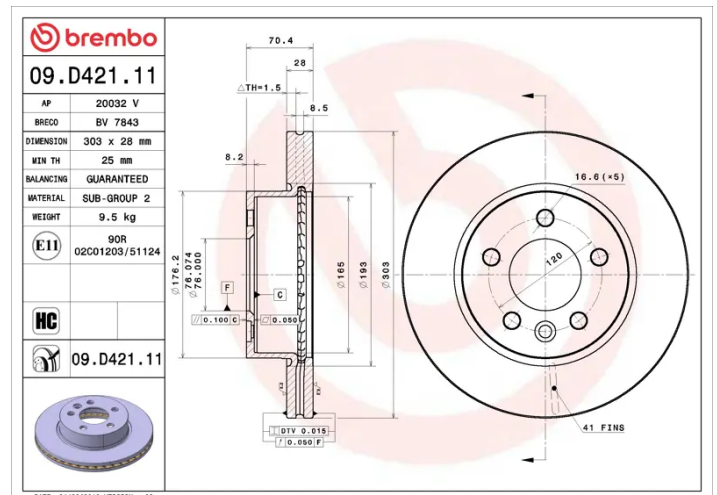
- ✓ OE-equivalent
- ✓ Brembo quality
- ✓ ECE-R90 certificate
- ✓ Safety
- ✓ High carbon
- ✓ Anti-corrosion



### Technical specifications



EAN code	Axle	Diameter $\emptyset$
8020584310885	Front	303 mm
Thickness (TH)	Height (A)	Number of holes (C)
28 mm	70 mm	5
Brake disc type	Centering (B)	Min. thickness
Ventilated	76 mm	25 mm



## COMPATIBLE OE PART NUMBERS

2N0615301A	MAN
------------	-----

---

2N0615301D	MAN
------------	-----

---

65508030000	MAN
-------------	-----

---

65508030006	MAN
-------------	-----

---

2N0615301A	VW
------------	----

---

2N0615301D	VW
------------	----

---