



BRAKE DISC PAINTED

09.N125.11

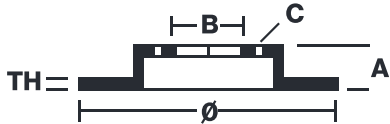
The 09.N125.11 painted brake disc is synonymous with reliability

The Brembo brake disc with special UV paint treatment guarantees superior corrosion resistance for the product, thanks to the protective coating on the outer edges and on the disc hub. The UV paint not only gives the disc a clean, shiny appearance but is also beneficial for the environment as the water-based UV paint treatment does not require the use of chemical solvents and is a low energy consumption process.

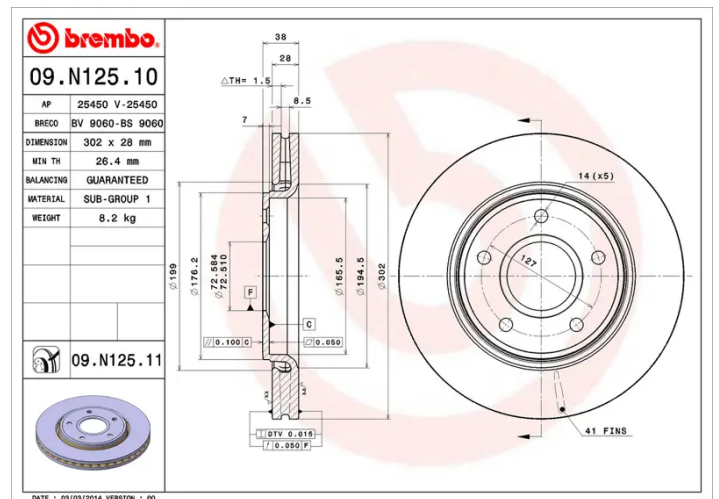
- ✓ OE-equivalent
- ✓ Brembo quality
- ✓ ECE-R90 certificate
- ✓ Safety
- ✓ Anti-corrosion



Technical specifications



EAN code 8020584039458	Axle Front	Diameter \varnothing 302 mm
Thickness (TH) 28 mm	Height (A) 38 mm	Number of holes (C) 5
Brake disc type Ventilated	Centering (B) 73 mm	Min. thickness 26,4 mm
Tightening torque 129 Nm		



COMPATIBLE VEHICLES

COMPATIBLE OE PART NUMBERS

68032944AA	CHRYSLER
------------	----------

68032944AB	CHRYSLER
------------	----------

680322944AA	DODGE
-------------	-------

68032944AA	DODGE
------------	-------

68032944AB	DODGE
------------	-------

K68032944AA	DODGE
-------------	-------

K68032944AA	FIAT
-------------	------

K68032944AB	FIAT
-------------	------

7B0615301A	VW
------------	----

7B0615301B	VW
------------	----

7B0615301C	VW
------------	----

K68032944AA	VW
-------------	----